

**(12) STANDARD PATENT APPLICATION** (11) Application No. **AU 2026201489 A1**  
**(19) AUSTRALIAN PATENT OFFICE**

(54) Title  
**Surgical stapler having actuation mechanism with rotatable shaft**

(51) International Patent Classification(s)  
**A61B 17/068** (2006.01)

(21) Application No: **2026201489** (22) Date of Filing: **2026.02.26**

(43) Publication Date: **2026.03.19**

(43) Publication Journal Date: **2026.03.19**

(62) Divisional of:  
**2024216541**

(71) Applicant(s)  
**Applied Medical Resources Corporation**

(72) Inventor(s)  
**Patel, Atal;Covach, Jonathan;Reed, Christina N.;Johnson, Gary M.;Becerra, Matthew M.**

(74) Agent / Attorney  
**Griffith Hack, Level 15, 376-390 Collins Street, Melbourne, VIC, 3000, AU**

ABSTRACT OF THE DISCLOSURE

A handle assembly for a surgical stapler can comprise a rotatable actuation shaft. The actuation shaft can have a first rotational orientation in which it can actuate a jaw assembly in a repeatable open and close mode, a second rotational orientation in which it can actuate a jaw assembly in a staple firing mode, and a third rotational orientation in which it can actuate a jaw assembly in a reversing mode. The handle assembly can include a rotational mechanism arranged to discretely position the rotatable actuation shaft in one of the rotational orientations. The rotational mechanism can be arranged for single handed operation such as by including a slideable switch or selector to rotate the actuation shaft.

SURGICAL STAPLER HAVING ACTUATION MECHANISM WITH ROTATABLE  
SHAFT

CROSS REFERENCE TO RELATED APPLICATIONS

[0001] This application is a divisional application of Australian Patent Application No. 2024216541, which in turn is a divisional application of Australian Patent Application No. 2022204273, which in turn is a divisional application of Australian Patent Application No. 2020264274, which in turn is a divisional application of Australian Patent Application No. 2019204550, which in turn is a divisional application of Australian Patent Application No. 2014227602, the entire disclosures of which are incorporated herein, by reference. This application also claims the benefit of U.S. Provisional Patent Application Serial No. 61/794,700, entitled "SURGICAL STAPLER HAVING ACTUATION MECHANISM WITH ROTATABLE SHAFT," filed on March 15, 2013, currently pending. The entirety of this prior application is hereby incorporated herein by reference.

BACKGROUND OF THE INVENTION

FIELD OF THE INVENTION

[0002] The present application relates generally to surgical occlusion instruments and, more particularly, to surgical staplers.

## DESCRIPTION OF THE RELATED ART

[0003] Surgical staplers are used to approximate or clamp tissue and to staple the clamped tissue together. As such, surgical staplers have mechanisms to ensure that tissue is properly positioned and captured and to drive staples through the tissue. As a result, this has produced, for example, multiple triggers and handles in conjunction with complex mechanisms to provide proper stapling of the clamped tissue. With these complex mechanisms, surgical staplers can have increased manufacturing burdens, as well as potential sources for device failure and confusion for the user. Thus, reliable stapling of clamped tissue without complex mechanisms is desired.

## SUMMARY OF THE INVENTION

[0003A] One aspect of the present invention provides a handle assembly for a surgical stapler, the handle assembly comprising: a stationary handle; a movable trigger pivotably coupled to the stationary handle and pivotable between an open position and a closed position; an opening driver operably coupled to the movable trigger; a forward driver operably coupled to the movable trigger; an actuation shaft operably engageable with the opening driver and the forward driver, the actuation shaft having a longitudinal axis, the actuation shaft longitudinally slideable along the longitudinal axis within the handle assembly and rotatable between a first orientation and a second orientation relative to the longitudinal axis; wherein in an initial configuration, the actuation shaft is in the second orientation and the opening driver is engaged with the actuation shaft such that movement of the movable trigger relative to the stationary handle between the open position and the closed position longitudinally slides the actuation shaft between a

first position and a second position distal the first position; and wherein with the actuation shaft in the second position, the actuation shaft is selectively rotatable to the first orientation in which the forward driver is engaged with the actuation shaft such that movement of the trigger from the open position towards the closed position moves the actuation shaft distally of the second position towards a third position distal the second position.

[0003B] Another aspect of the present invention provides a handle assembly for a surgical stapler comprising: a stationary handle; a movable handle pivotably coupled to the stationary handle and pivotable between an open position spaced apart from the stationary handle and a closed position adjacent the stationary handle; an actuation mechanism comprising: an actuation shaft defining a longitudinal axis; an advancing driver operably coupled to the movable handle and translatable in a first longitudinal direction with respect to the longitudinal axis responsive to movement of the movable handle from the open position to the closed position; a reversing driver operably coupled to the advancing driver and translatable in a second direction with respect to the longitudinal axis responsive to movement of the movable handle from the open position to the closed position, the second direction opposite the first direction; and a gear operably coupling the advancing driver to the reversing driver; and wherein the actuation shaft is longitudinally translatable along the longitudinal axis relative to the stationary handle; and wherein the actuation shaft is selectably rotatable about the longitudinal axis between a first orientation in which the advancing driver engages the actuation shaft to advance the actuation shaft longitudinally distally and a second

orientation in which the reversing driver engages the actuation shaft to retract the actuation shaft longitudinally proximally.

[0004] In certain disclosed embodiments, a surgical stapler is provided herein. The surgical stapler comprises an elongate shaft, a jaw assembly, and a handle assembly. The elongate shaft has a proximal end and a distal end. The elongate shaft defines a longitudinal axis between the proximal end and the distal end. The jaw assembly is positioned at the distal end of the elongate shaft. The jaw assembly comprises a first jaw, a second jaw, and a plurality of staples. The jaw assembly is selectively positionable in one of a closed configuration, an open configuration, and a firing configuration. The handle assembly is positioned at the proximal end of the elongate shaft. The handle assembly comprises a stationary handle, a movable trigger pivotably coupled to the stationary handle, and an actuation shaft. The actuation shaft is longitudinally slideable within the handle assembly with respect to the longitudinal axis of the actuation shaft and rotatable within the handle assembly with respect to the longitudinal axis. The actuation shaft is operably coupled to the jaw assembly and the actuation shaft is longitudinally slideable in a first direction from a first position corresponding to the open configuration of the jaw assembly to a second position corresponding to the closed configuration of the jaw assembly and from the second position to a third position corresponding to the firing configuration. The actuation shaft is operably coupled to the movable trigger. The actuation shaft is rotatable between a first orientation in which movement of the trigger moves the actuation shaft between the

second position and the third position and a second orientation in which movement of the trigger moves the actuation shaft from the third position to the first position.

[0005] In certain disclosed embodiments, a handle assembly for a surgical stapler is provided. The surgical stapler comprises an elongate shaft having a proximal end and a distal end, the elongate shaft defining a longitudinal axis between the proximal end and the distal end, and a jaw assembly disposed at the distal end of the elongate shaft. The handle assembly comprises a housing, an actuation mechanism positioned within the housing, and a coupler. The actuation mechanism comprises an advancing driver, a reversing driver, and an actuation shaft. The actuation shaft extends along the longitudinal axis. The actuation shaft is rotatably coupled to the housing with respect to the longitudinal axis. The actuation shaft comprises an advancing surface and a reversing surface. The advancing surface extends longitudinally along the actuation shaft. The reversing surface extends longitudinally along the actuation shaft. The reversing surface is angularly offset from the advancing surface. The actuation shaft is rotatable between a first orientation in which the advancing driver engages the advancing surface and a second orientation in which the reversing driver engages the reversing surface. The coupler is adapted to engage the elongate shaft of the surgical stapler. In some embodiments, of handle assembly, the handle assembly further comprises a stationary handle disposed on the housing and a movable handle pivotably coupled to the housing and pivotable between an open position spaced apart from the stationary handle and a closed position adjacent the stationary handle. The movable handle is pivotably coupled to the housing and

pivotable between an open position spaced apart from the stationary handle and a closed position adjacent the stationary handle. The advancing driver is operably coupled to the movable handle and translatable distally with respect to the longitudinal axis responsive to movement of the movable handle from the open position to the closed position. The reversing driver is operably coupled to the movable handle and translatable proximally with respect to the longitudinal axis responsive to movement of the movable handle from the open position to the closed position.

[0006] In certain disclosed embodiments, a handle assembly for a surgical stapler is provided. The handle assembly comprises a housing, an actuator coupled to the housing, and an actuation mechanism. The actuation mechanism comprises a forward driver, a reverse driver, an actuation shaft, and a selector. The forward driver is operably coupled to the trigger. The reverse driver is operably coupled to the trigger. The actuation shaft has a longitudinal axis. The actuation shaft is rotatably coupled to the housing relative to the longitudinal axis. The actuation shaft comprises a forward interface surface and a reverse interface surface angularly offset from the forward interface surface. The actuation shaft is rotatable between a first orientation in which the forward interface surface engages the forward driver to move the actuation shaft in a first direction responsive to the actuator and a second orientation in which the reverse interface surface engages the reverse driver to move the actuation shaft in a second direction opposite the first direction responsive to the actuator. The selector is operably coupled to the actuation shaft to selectively rotate the actuation shaft between the first orientation and the second orientation. In some embodiments the actuator comprises a

trigger pivotably coupled to the housing, and movement of the actuation shaft in the first and second directions is responsive to pivotal movement of the trigger.

BRIEF DESCRIPTION OF THE DRAWINGS

[0007] Figure 1 is a perspective view of an embodiment of surgical stapling device with the jaws in an open configuration;

[0008] Figure 2 is a perspective view of an embodiment of a cartridge for the surgical stapling device of Figure 1 with the jaws in a closed configuration;

[0009] Figure 3 is a perspective view of an embodiment of handle assembly for a surgical stapling device;

[0010] Figure 4 is a perspective view of the handle assembly of Figure 3 with a movable handle in a closed configuration;

[0011] Figure 5 is a top view of the handle assembly of Figure 3 with a selector in a first configuration;

[0012] Figure 6 is a top view of the handle assembly of Figure 3 with a selector in a second configuration;

[0013] Figure 7 is a side view of the handle assembly of Figure 3;

[0014] Figure 8A is a cross-sectional side view of the handle assembly of Figure 3 in an initial configuration;

[0015] Figure 8B is a cross-sectional perspective view of the handle assembly of Figure 8A;

[0016] Figure 9A is a cross-sectional side view of the handle assembly of Figure 3 actuated to a closed configuration;

[0017] Figure 9B is a cross-sectional perspective view of the handle assembly of Figure 9A;

[0018] Figure 10A is a cross-sectional side view of the handle assembly of Figure 3 in a forward drive configuration;

[0019] Figure 10B is a cross-sectional perspective view of the handle assembly of Figure 10A;

[0020] Figure 11A is a cross-sectional side view of the handle assembly of Figure 3 in the forward drive configuration;

[0021] Figure 11B is a cross-sectional perspective view of the handle assembly of Figure 11A;

[0022] Figure 12A is a cross-sectional side view of handle assembly of Figure 3 in a fully driven forward configuration;

[0023] Figure 12B is a cross-sectional perspective view of the handle assembly of Figure 12A;

[0024] Figure 13A is a cross-sectional side view of the handle assembly of Figure 3 in a reverse drive configuration;

[0025] Figure 13B is a cross-sectional perspective view of the handle assembly of Figure 13A;

[0026] Figure 14A is a cross-sectional side view of the handle assembly of Figure 3 in a fully driven reverse configuration;

[0027] Figure 14B is a cross-sectional perspective view of the handle assembly of Figure 14A;

[0028] Figure 15 is a side view of another embodiment of handle assembly for a surgical stapling device;

[0029] Figure 16 is a perspective view of the handle assembly of Figure 15;

[0030] Figure 17 is a cutaway side view of the handle assembly of Figure 15;

[0031] Figure 18 is a top view of a rotation mechanism for an actuation mechanism of the handle assembly of Figure 15;

[0032] Figure 19 is a top view of a hub collar and actuation shaft of the rotation mechanism of Figure 18 with the hub collar in a first position;

[0033] Figure 20 is a top view of the hub collar and actuation shaft of the rotation mechanism of Figure 18 with a hub collar in a second position;

[0034] Figure 21 is a top view of the hub collar and actuation shaft of the rotation mechanism of Figure 18 with a hub collar in a third position;

[0035] Figure 22 is a top view of the hub collar and actuation shaft of the rotation mechanism of Figure 18 with a hub collar in a fourth position;

[0036] Figure 23 is a top view of the hub collar and actuation shaft of the rotation mechanism of Figure 18 with a hub collar in a fifth position;

[0037] Figure 24 is a top view of the hub collar and actuation shaft of the rotation mechanism of Figure 18 with a hub collar in a sixth position; and

[0038] Figure 25 is a top view of the hub collar and actuation shaft of the rotation mechanism of Figure 18 with a hub collar in a seventh position.

#### DETAILED DESCRIPTION OF THE INVENTION

[0039] With reference to Figures 1-2, an embodiment of surgical stapling device is illustrated. The illustrated embodiment of surgical stapler 10 comprises an elongate shaft 20, a jaw assembly 30, and a handle assembly 40. Figure 1 illustrates the surgical stapler 10 with the jaw assembly 30 in an open configuration. Figure 2 illustrates a removable cartridge comprising the elongate shaft 20 and jaw assembly 30 of the surgical stapler 10 with the jaw assembly 30 in a closed configuration.

[0040] With continued reference to Figures 1 and 2, the illustrated embodiment of surgical stapler 10 can be sized and configured for use in laparoscopic

surgical procedures. For example, the elongate shaft 20 and jaw assembly 30 can be sized and configured to be introduced into a surgical field through an access port or trocar cannula. In some embodiments, the elongate shaft 20 and jaw assembly 30 can be sized and configured to be inserted through a trocar cannula having a relatively small working channel diameter, such as, for example, less than 8 mm. In other embodiments, elongate shaft 20 and jaw assembly 30 can be sized and configured to be inserted through a trocar cannula having a larger working channel diameter, such as, for example, 10 mm, 11 mm, 12 mm, or 15 mm. In other embodiments, it is contemplated that certain aspects of the surgical staplers described herein can be incorporated into a surgical stapling device for use in open surgical procedures.

[0041] With continued reference to Figures 1 and 2, as illustrated, the elongate shaft 20 comprises a generally tubular member. The elongate shaft 20 extends from a proximal end 22 to a distal end 24. Elongate shaft 20 defines a central longitudinal axis, L, of the surgical stapler 10 extending between the proximal end 22 and the distal end 24.

[0042] With continued reference to Figures 1 and 2, in the illustrated embodiment, the jaw assembly 30 is coupled to the elongate shaft 20 at the distal end 24 of the elongate shaft 20. The jaw assembly 30 comprises a first jaw 32 and a second jaw 34 pivotally coupled to the first jaw 32. In the illustrated embodiment, the first jaw 32 is fixed to the distal end 24 of elongate shaft 20 such that it extends distally along the central longitudinal axis, L and remains stationary with respect to the elongate

shaft 20. In other embodiments, it is contemplated that both the first and second jaws 32, 34 are pivotable with respect to the elongate shaft. In other embodiments, it is contemplated that the jaw assembly 30 is articulable with respect to the elongate shaft 20. In an initial configuration, the first jaw 32 includes a plurality of staples 36 disposed therein. In some embodiments, staples can be initially positioned in the second jaw 34.

[0043] With continued reference to Figures 1 and 2, in the illustrated embodiment, the jaw assembly 30 can be actuated from an open configuration (Figure 1) to a closed configuration (Figure 2) to a stapling configuration by an actuation member or beam that is longitudinally slideable within the elongate shaft. In an initial position, the beam can be positioned at the distal end 24 of the elongate shaft 20. With the beam in the initial position, the second jaw 34 is pivoted away from the first jaw 32 such that the jaw assembly 30 is in the open configuration. The actuation beam engages the second jaw 34 upon translation of the actuation member or beam distally along the longitudinal axis L. Translation of the actuation beam distally from the initial position a first distance can actuate the jaw assembly from the open configuration to the closed configuration. With the jaw assembly 30 in the closed configuration, the actuation beam can be returned proximally the first distance to return the jaw assembly 30 to the open configuration. A distal end of the actuation beam can advance a staple slider configured to deploy staples from the first jaw 32 such that further translation of the actuation beam distally past the first distance deploys the plurality of staples 36 from the first jaw 32.

[0044] With continued reference to Figures 1 and 2, in the illustrated embodiment, the handle assembly is coupled to the elongate shaft 20 at the proximal end 22 of the elongate shaft 20. As illustrated, the handle assembly 40 has a pistol grip configuration with a housing defining a stationary handle 42 and an actuator such as a movable handle 44 or trigger pivotably coupled to the stationary handle 42. It is contemplated that in other embodiments, surgical stapler devices including aspects described herein can have handle assemblies with other configurations such as, for example, scissors-grip configurations, or in-line configurations. As further described in greater detail below, the handle assembly 40 houses an actuation mechanism configured to selectively advance an actuation shaft responsive to movement of the movable handle 44. In some embodiments, the actuation mechanism can comprise a powered actuation mechanism such as an electric motor that can be actuated to selectively advance an actuation shaft. Actuation of the electric motor can be initiated through movement of the movable handle 44 or actuation of a trigger, button, switch, or another actuator electrically operably coupled to the electric motor of the powered actuation mechanism.

[0045] In some embodiments, the surgical stapler 10 can include the plurality of staples 36 positioned in a disposable cartridge while the handle assembly 40 is configured to be reused with multiple staple cartridges. In the illustrated embodiment, the elongate shaft 20 and jaw assembly 30 define a disposable cartridge that is removably couplable to the handle assembly 40. Accordingly, in the illustrated embodiment the handle assembly 40 includes a coupler 46 at the distal end thereof.

The coupler 46 is adapted to engage the elongate shaft 20 of the surgical stapler 10. The coupler 46 can have a bayonet connection having an outer connector that can removably couple the handle assembly 40 to the elongate shaft 20, and an inner connector that can removably couple the actuation shaft of the handle assembly 42 to the actuation member of the elongate shaft 20. Accordingly, the surgical stapler 10 can be configured such that the handle assembly 40 can be reused with multiple disposable cartridges during a surgical procedure. It is contemplated that in other embodiments, the handle assembly and some portion of the elongate shaft can be reusable while a remainder of the elongate shaft and the jaw assembly define a disposable cartridge. In certain other embodiments, the handle assembly and the elongate shaft can be reusable while the jaw assembly defines a disposable cartridge. In still other embodiments, a jaw insert housing a plurality of staples can define a disposable cartridge while the remainder of the surgical stapler is reusable.

[0046] Figures 3-7 illustrate various views of an embodiment of handle assembly 40 for a surgical stapler 10. In Figure 3, a perspective view of the handle assembly 40 as illustrated with the movable handle 44 in an open position spaced apart from the stationary handle 42. The illustrated handle assembly 40 further comprises a selector 72 operably coupled to the actuation mechanism housed within the handle assembly 40 as further discussed herein. As illustrated in Figure 3, the selector 72 is in a first position.

[0047] With reference to Figure 4, another perspective view of the handle assembly 40 of Figure 3 is illustrated. As illustrated, the movable handle 44 is in a closed position positioned adjacent the stationary handle 42, and the selector 72 is in a second position. Figures 5 and 6 illustrate a top view of the handle assembly of Figure 3 with the selector 72, such as a slider 74, in the first position (Figure 5), and in the second position (Figure 6). Figure 7 illustrates a side view of the handle assembly 40 of Figure 3.

[0048] Figures 8A and 8B illustrate cross-sectional views of the handle assembly 40 in an initial configuration, revealing operation of the actuation mechanism 50. In the illustrated embodiment, the actuation mechanism 50 is configured to selectively translate the actuation shaft 60 from a first position corresponding to the jaw assembly 30 being in the open configuration to a second position corresponding to the jaw assembly 30 being in the closed configuration and from the second position to a third position to position the jaw assembly 30 in a stapling configuration and deploy the plurality of staples 36. In the initial configuration illustrated in Figures 8A and 8B, actuation mechanism 50 can repeatedly translate the actuation shaft 60 between the first position and the second position responsive to movement of the movable handle 44 or trigger without deploying the staples to provide an open and close functionality. This open and close functionality allows a user to position, clamp tissue, and reposition the stapler 10 to find a desirable staple placement location before deploying the staples.

[0049] With reference to Figures 8-14, in the illustrated embodiment, the actuation mechanism comprises an advancing or forward driver 52, a reverse driver 54, a opening driver 58, an advancing surface 62, a reversing surface 64, and a opening surface 66. The forward driver 52 can be operably coupled to the movable handle 44 such that movement of the movable handle 44 from the open position to the closed position advances the forward driver 52 in a first direction such as for example distally within the handle assembly 40. The forward driver 52 can comprise a pawl or tooth configured to engage a recess or slot.

[0050] The reverse driver 54 can be operably coupled to movable handle 44 such that movement of the movable handle 44 from the open position to the closed position advances the reverse driver 54 in a second direction opposite the first direction such as, for example proximally within the handle assembly 40. In some embodiments, the movable handle 44 can be operably coupled with the reverse driver 54 with a geared connection including an idler gear 56. The reverse driver 54 can comprise a pawl or tooth configured to engage a recess or slot.

[0051] The opening driver 58 can be operably coupled to the movable handle 44 such that movement of the movable handle 44 from the open position to the closed position advances the opening driver 58 in a first direction such as for example distally within the handle assembly 40. In the illustrated embodiment, the opening driver 58 is coupled to the idler 56 with a pin and slot connection to operably couple the opening

driver 58 to the movable handle 44. The opening driver 58 can comprise a pawl or tooth configured to engage a recess or slot.

[0052] The actuation shaft 60 includes advancing surface 62, reversing surface 64, and opening surface 66 formed thereon. In the illustrated embodiment, the advancing surface 62 comprises a rack, or plurality of spaced recesses or teeth formed longitudinally along the actuation shaft 60. As illustrated, reversing surface 64 comprises a rack or plurality of space recesses or teeth formed longitudinally along the actuation shaft 60 and angularly offset from the advancing surface 62. In the illustrated embodiment, the opening surface 66 comprises a recess formed in the actuation shaft 60.

[0053] In certain embodiments, the actuation shaft 60 is rotatable within the handle assembly 40 about the longitudinal axis of the stapler 10. The actuation shaft 60 can comprise a proximal portion 65 and a distal portion 61 that are independently rotatable with respect to one another. For example, the proximal portion 65 can be coupled to the distal portion 61 at a rotatable coupling that allows free rotation therebetween while coupling the proximal portion to the distal portion with respect to longitudinal translation. The handle assembly 40 can comprise a rotation mechanism 70 to provide selective rotation of the proximal portion 65 of the actuation shaft 60 within the handle assembly 40. The actuation shaft 60 can be rotatable between a first orientation in which the forward driver 52 is engageable with the advancing surface 62 and a second orientation in which the reverse driver 54 is engageable with the reversing

surface 64. With the angular offset of the advancing surface 52 from the reversing surface 54 with respect to the actuation shaft 60, with the actuation shaft in the first orientation, the reverse driver 54 is disengaged from the reversing surface 64, and with the actuation shaft in the second orientation, the forward driver 52 is disengaged from the advancing surface 62.

[0054] With continued reference to Figures 8-14, in certain embodiments, the rotation mechanism 70 comprises a selector 72, such as a slider. The slider can extend transversely through the housing of the handle assembly 40. The slider can be operably coupled to the actuation shaft 60 such that positioning the slider in the first position extending from one side of the handle assembly 40 positions the actuation shaft 60 in the first orientation, and positioning the slider in the second position extending from an opposite side of the handle assembly 40 rotates the actuation shaft 60 to the second orientation. In the illustrated embodiment, the slider is coupled to a rack 76 in meshing engagement with a gear 78 that is rotatably fixed to the actuation shaft 60 and longitudinally slideable along the actuation shaft 60 (such as, for example, with a keyed connection). Desirably, the illustrated rotation mechanism 70 including a slider discretely positions the actuation shaft 60 in a desired orientation, reducing the incidence of the mismeshed gearing within the actuation mechanism 50. In some embodiments the slider can include visual indicators, such as arrows, to indicate the orientation of the actuation shaft 60, and thus, the actuation mode of the stapler to a user.

[0055] In the illustrated embodiment, the advancing surface 62 and the reverse surface 64 are angularly offset by approximately 90 degrees about the actuation shaft. Thus, the rotation mechanism 70 is configured to rotate the actuation shaft approximately 90 degrees between the first orientation and the second orientation. In other embodiments, the actuation surface 62 and the reverse surface 64 can have a different angular offset, such as, for example 120 degrees or 70 degrees, and the rotation mechanism 70 can be configured to rotate the actuation shaft 60 correspondingly. Moreover, as described in further detail herein with respect to an open/close mode of the handle assembly 40 operation, in the illustrated embodiment, the opening driver 58 engages with the actuation shaft in the second orientation, in other embodiments, the actuation shaft can be rotatable to a third orientation in which the opening driver 58 engages with the actuation shaft.

[0056] With reference to Figures 8-14, a typical operation sequence of the actuation mechanism 50 of the handle assembly 40 is illustrated. Figures 8A-8B and 9A-9B illustrate operation of the handle assembly 40 in an initial configuration providing an open/close functionality to the jaw assembly 30. In Figure 8A, the movable trigger 44 is at an open position, and the actuation shaft 60 is at a first position, corresponding to the first position of the actuation beam at the distal end of the elongate shaft 20. In the initial position, the actuation shaft 60 is positioned at the second orientation such that the reverse driver 54 is angularly aligned with the reversing surface 64. With actuation shaft 60 in the second orientation, the opening driver 58 is positioned within the opening surface 66 or recess. Movement of the movable handle 44 from the open

position (Figure 8A-8B) to the closed position (Figure 9A-9B), advances the forward driver 52 distally along the actuation shaft 60 to engage an advancing recess 63 formed in the actuation shaft 60 and drive the actuation shaft 60 distally in the handle assembly 40 to a second position. The second position of the actuation shaft 60 within the handle assembly 40 corresponds to the second position of the actuation beam, which positions the jaw assembly 30 in a closed configuration.

[0057] The movable handle 44 can be biased to the open position by a biasing member, such as a coil spring 68 (Figure 11A). Thus, releasing the movable handle 44 from the closed position illustrated in Figure 9A-9B would return it to the open position of Figures 8A-8B. Operable coupling of the movable handle 44 to the opening driver 58 would likewise translate the opening driver 58 proximally within the handle assembly 40 as the movable handle 44 returns to the open position. In the second orientation of the actuation shaft 60, the opening driver 58 engages opening surface 66 such that the proximal movement of the opening driver 58 returns the actuation shaft 60 from the second position to the first position, returning the jaw assembly 30 to the open configuration.

[0058] A user can seek a desired stapling position within a surgical field by repeatedly opening and closing the jaws to clamp tissue in various locations. Once a desired stapling position has been selected, the actuation mechanism 50 can be configured in a stapling or firing mode by rotating the actuation shaft 60 to the first orientation. With the jaw assembly a closed configuration at a desired stapling position

(as illustrated in Figures 9A-9B), a user can reposition the selector 72 by sliding the slider to the first position, corresponding to the first orientation of the actuation shaft 60 (as illustrated in Figures 10A-10B). In the first orientation of the actuation shaft 60, the forward driver 52 is engageable with the advancing surface 62, the reversing driver 54 is angularly misaligned with the reversing surface 64, and the opening driver 58 angularly misaligned with the opening surface 66. With the actuation shaft 60 in the first orientation, the movable handle 44 can be released into the open position (Figure 11A-11B), engaging the forward driver 52 with the advancing surface 62.

[0059] With reference to Figures 11A-11B and 12A-12B, with the actuation shaft 60 in the first orientation, and the forward driver 52 engaging the advancing surface 62, the actuation mechanism 50 is in a stapling or firing mode. Several cycles of movable handle 44 movement from the open position to the closed position and back to the open position advance the actuation shaft 60 from the second position (Figures 11A-11B), to a third position in which the actuation shaft 60 is moved to its distal-most limit with respect to the handle assembly 40 (Figures 12A-12B). In some embodiments, the actuation mechanism can include a stop to interfere with distal travel of the actuation shaft 60 at the third position. The second position of the actuation shaft corresponds to the second position of the actuation beam in the jaw assembly 30. The third position of the actuation shaft corresponds to the third position of the actuation beam in the jaw assembly 30 in which the plurality of staples have been deployed from the first jaw. With movement of the movable handle 44 or trigger in the firing mode to advance the actuation shaft from the second position to the third position, the forward

driver 52 is sequentially advanced over the adjacent teeth or grooves of the actuating surface 62 in a ratchet-like advancement.

[0060] With reference to Figures 13A-13B, once the actuation shaft 60 has been advanced to the third position and the staples have been fired from the jaw assembly, the actuation mechanism 50 can be configured in a reverse mode. Accordingly, the rotation mechanism 70 can rotate the actuation shaft 60 to the second orientation to position the reversing surface 64 in angular alignment with the reverse driver 54. The slider can be slid to the second position to rotate the actuation shaft from the first orientation (Figures 12A-12B) to the second orientation (Figures 13A-13B). With the actuation shaft 60 in the second orientation, repeated cycles of the movable handle 44 from the open position to the closed position and back to the open position engage the reverse driver 54 with the reversing surface 64 in a ratchet-like advancement while retracting the actuation shaft 60 proximally in the handle assembly 40. Once the reverse driver 54 has driven the actuation shaft 60 proximally to the second position (illustrated in Figures 14A-14B), the opening driver 58 engages the opening surface 66. The opening driver 58 returns the actuation shaft 60 to the first position when the movable handle 44 is released to the open position. (Returning the handle assembly to the configuration illustrated in Figures 8A-8B). With the actuation shaft 60 in the first position, the cartridge, emptied of staples, can be decoupled from the handle assembly 40 and a new cartridge can be coupled to the handle assembly to begin another stapling operation.

[0061] With reference to Figures 15-25, another embodiment of handle assembly 40' for use with a surgical stapler 10' is illustrated. Figure 15 illustrates a side view of the handle assembly 40', and Figure 16 illustrates a perspective view of the handle assembly 40'. In the handle assembly 40', actuation of the rotation mechanism 70' is accomplished with a slideable switch 80 that is longitudinally slideable with respect to the handle assembly 40' housing. Advantageously, such a slideable switch arrangement can allow a user to easily rotate the actuation shaft 60 in a single-handed operation.

[0062] With reference to Figure 17, a cross-sectional view of the handle assembly 40' is illustrated revealing the actuation mechanism 50' and the rotation mechanism 70'. The actuation mechanism functions substantially as described above with respect to the embodiment of Figures 8A,8B-14A,14B to advance the actuation shaft 60' from a first position to a second position in an open/close mode, from the second position to a third position in a stapling mode, and from the third position to the first position in a reverse mode. The actuation mechanism 50' includes corresponding forward, reverse, and opening drivers 52, 54, 58 operably coupled to a movable handle 44 and advancing 62, reversing, and opening surfaces on the actuation shaft 60' substantially as described with respect to the embodiment of Figures 8A,8B-14A-14B. However, in the embodiment illustrated in Figures 15-25, the actuation shaft 60' is rotatable by the rotation mechanism 70' discretely between a first orientation corresponding to the open/close mode of the handle assembly wherein the opening driver 58 engages the opening surface 66, a second orientation corresponding to the

stapling position, wherein the forward driver 52 engages the advancing surface 62, and a third orientation corresponding to the reverse position wherein the reverse driver 54 engages the reversing surface.

[0063] With reference to Figures 17-18, certain aspects of the rotation mechanism 70' are illustrated. The rotation mechanism 70' comprises the slideable switch 80 longitudinally slideable with respect to the housing of the handle assembly 40', a hub collar 82 longitudinally slideable by the switch 80, and a biasing member or spring 98. In the illustrated embodiment, the slideable switch 80 is connected to the hub collar 82 with a thin beam, such as a shim member. The hub collar 82 is rotationally fixed and longitudinally slideable with respect to the housing of the handle assembly 40'. In some embodiments, the hub collar 82 can comprise first and second wings that can slide in corresponding first and second slots in the housing of the handle assembly to allow relative longitudinal movement and restrict relative rotational movement therebetween.

[0064] The hub collar 82 can be a generally tubular member disposed around the actuation shaft 60'. The hub collar 82 can extend between a first edge 84 having a plurality of ramps 86 formed therein and a second edge 88 having a plurality of recesses 90 formed therein. In the illustrated embodiment, the hub collar 82 comprises three ramps 86 formed in the first edge 84 with each ramp spaced approximately 120 degrees apart from adjacent ramps 86. As illustrated, the hub collar 82 comprises three recesses 90 formed in the second edge 88 with each recess 90 being approximately

120 degrees apart from adjacent recesses 86. In other embodiments, the number and relative spacing of ramps 86 and recesses 90 can vary to rotate the actuation shaft 50 between different orientations from those of the illustrated embodiment.

[0065] In some embodiments, the rotation mechanism 70' can include a spring 98 to bias the slideable switch 80 and the hub collar 82 to a proximal position with respect to the housing of the handle assembly 40'.

[0066] With continued reference to Figures 17-18, the actuation shaft 60' can have a first plurality of projections 92 projecting radially outwardly therefrom adjacent the first edge 84 of the hub collar 82. In the illustrated embodiment, the actuation shaft has three projections 92 each spaced approximately 120 degrees from the adjacent projections. The actuation shaft 60' can further comprise a second plurality of projections 94 extending radially outwardly from the actuation shaft 60' at a position adjacent the second edge 88 of the hub collar 82. In the illustrated embodiment, the actuation shaft 60' has three projections 94 each spaced approximately 120 degrees from the adjacent projections. In other embodiments, the numbers and spacing of the projections 92, 94 can be varied to achieve a rotation mechanism with different rotational characteristics. In some embodiments, the projections 92, 94 can be formed on the actuation shaft 60', while in other embodiments, the projections 92, 94 can be formed separately such as on a sleeve that is adhered to, has a keyed engagement with, or is otherwise rotationally fixed to the actuation shaft 60'.

[0067] With reference to Figures 19-25, an operation sequence of the rotation mechanism 70' to rotate the actuation shaft 60' from a first orientation to a second orientation is illustrated. Figure 19 illustrates a schematic view of the hub collar 82 and actuation shaft 50' in a first orientation. In the first orientation, a first projection 94a of the second plurality of projections 94 rests in a first recess 90a of the plurality of recesses 90, and a first projection 92a of the first plurality of projections is positioned adjacent a first ramp 86a of the plurality of ramps 86.

[0068] With reference to Figures 19-22, an operation sequence of the rotation mechanism 70' as the slideable switch 80 is advanced distally is illustrated. As the slideable switch 80 is advanced distally with respect to the housing of the handle assembly, the hub collar 82 translates distally, bringing the first plurality of projections 92 into sliding engagement with the plurality of ramps 86 of the hub collar 82 (illustrated in Figure 20). Further distal advancement of the slideable switch 80 and hub collar 82 relative to the housing of the handle assembly advances the first plurality of projections 92 over the plurality of ramps 86 (illustrated in Figures 21 and 22). An angular profile of the ramps 86 acts as a camming surface such that travel of the first plurality of projections 92 along the plurality of ramps 86 rotates the actuation shaft 60'. Once the slideable switch reaches the distal most end of its travel, the spring 98 biases the hub collar 82 and sliding switch 80 proximally with respect to the housing of the handle assembly 40. As the hub collar 82 returns to a proximal position, the second plurality of projections 94 engages the plurality of recesses 90 (illustrated in Figures 23-25). As illustrated in Figure 25, following an actuation cycle of the slideable switch 80, the first

projection 94a of the second plurality of projections 94 has been positioned in the second recess 90b of the plurality of recesses such that the actuation shaft 60' has been positioned in a second orientation rotated 120 degrees from the first orientation. Subsequent actuation cycles of the slideable switch 80 rotate the actuation shaft in discrete 120 degree increments.

[0069] In other embodiments, the rotation mechanism can comprise a handle directly connected to the actuation shaft. For example, a proximal end of the actuation shaft can be connected to a handle 70" (Figure 1) extending proximally from the housing. Rotation of the handle relative to the longitudinal axis rotates the actuation shaft to configure the handle assembly in one of an open/close mode, a forward mode, or a reverse mode.

[0070] Although this application discloses certain preferred embodiments and examples, it will be understood by those skilled in the art that the present inventions extend beyond the specifically disclosed embodiments to other alternative embodiments and/or uses of the invention and obvious modifications and equivalents thereof. Further, the various features of these inventions can be used alone, or in combination with other features of these inventions other than as expressly described above. Thus, it is intended that the scope of the present inventions herein disclosed should not be limited by the particular disclosed embodiments described above, but should be determined only by a fair reading of claims which follow.

[0071] In the claims which follow and in the preceding description of the invention, except where the context requires otherwise due to express language or necessary implication, the word “comprise” or variations such as “comprises” or “comprising” is used in an inclusive sense, i.e. to specify the presence of the stated features but not to preclude the presence or addition of further features in various embodiments of the invention.

CLAIMS

1. A handle assembly for a surgical stapler, the handle assembly comprising:
  - a stationary handle;
  - a movable trigger pivotably coupled to the stationary handle and pivotable between an open position and a closed position;
  - an opening driver operably coupled to the movable trigger;
  - a forward driver operably coupled to the movable trigger;
  - an actuation shaft operably engageable with the opening driver and the forward driver, the actuation shaft having a longitudinal axis, the actuation shaft longitudinally slideable along the longitudinal axis within the handle assembly and rotatable between a first orientation and a second orientation relative to the longitudinal axis;
  - wherein in an initial configuration, the actuation shaft is in the second orientation and the opening driver is engaged with the actuation shaft such that movement of the movable trigger relative to the stationary handle between the open position and the closed position longitudinally slides the actuation shaft between a first position and a second position distal the first position; and
  - wherein with the actuation shaft in the second position, the actuation shaft is selectively rotatable to the first orientation in which the forward driver is engaged with the actuation shaft such that movement of the trigger from the

open position towards the closed position moves the actuation shaft distally of the second position towards a third position distal the second position.

2. The handle assembly of claim 1, wherein with the actuation shaft in the initial configuration with the movable trigger in the open position, the actuation shaft is in the first position, and with the movable trigger in the closed position, the actuation shaft is in the second position.
3. The handle assembly of claim 1 or 2, wherein the movable trigger is biased to the open position.
4. The handle assembly of any of claims 1-3, wherein the actuation shaft comprises an opening recess formed therein, and wherein with the actuation shaft in the second orientation and positioned between the first position and the second position, the opening driver is engaged with the opening recess.
5. The handle assembly of any of claims 1-4, wherein the actuation shaft comprises an advancing surface formed therein and wherein the forward driver is engaged with the advancing surface when the actuation shaft is in the first orientation and positioned between the second position and the third position.

6. The handle assembly of any of claims 1-5, further comprising a rotation mechanism to selectively rotate the actuation shaft between the first orientation and the second orientation.
7. The handle assembly of claim 6, wherein the rotation mechanism comprises a slider extending transversely to the longitudinal axis, the slider coupled to the actuation shaft such that movement of the slider transverse to the longitudinal axis rotates the actuation shaft.
8. The handle assembly of claim 7, wherein the slider comprises a rack formed thereon and the rotation mechanism further comprises a gear in meshed engagement with the rack, the gear rotatably fixed to the actuation shaft and longitudinally slidable along the actuation shaft.
9. The handle assembly of any of claims 1-8, further comprising a reverse driver engageable with the actuation shaft when the actuation shaft is in the second orientation and the actuation shaft is positioned between the second position and the third position, such that movement of the trigger from the open position towards the closed position moves the actuation shaft proximally of the third position towards the second position.

10. The handle assembly of claim 9, wherein the actuation shaft comprises a reverse surface engageable with the reverse driver with the actuation shaft in the second orientation and the shaft positioned between the second position and the third position.
11. The handle assembly of claim 9, wherein with the actuation shaft positioned between the second position and the third position, the actuation shaft is selectively rotatable between the first orientation in which the forward driver is engaged with the actuation shaft to advance the actuation shaft longitudinally distally and the second orientation in which the reverse driver is engaged with the actuation shaft to retract the actuation shaft longitudinally proximally.
12. The handle assembly of claim 9, wherein with the actuation shaft moved by the reverse driver proximally to the second position, the open driver engages the actuation shaft.
13. A handle assembly for a surgical stapler comprising:
  - a stationary handle;
  - a movable handle pivotably coupled to the stationary handle and pivotable between an open position spaced apart from the stationary handle and a closed position adjacent the stationary handle;
  - an actuation mechanism comprising:

an actuation shaft defining a longitudinal axis;

an advancing driver operably coupled to the movable handle and translatable in a first longitudinal direction with respect to the longitudinal axis responsive to movement of the movable handle from the open position to the closed position;

a reversing driver operably coupled to the advancing driver and translatable in a second direction with respect to the longitudinal axis responsive to movement of the movable handle from the open position to the closed position, the second direction opposite the first direction; and

a gear operably coupling the advancing driver to the reversing driver; and

wherein the actuation shaft is longitudinally translatable along the longitudinal axis relative to the stationary handle; and

wherein the actuation shaft is selectably rotatable about the longitudinal axis between a first orientation in which the advancing driver engages the actuation shaft to advance the actuation shaft longitudinally distally and a second orientation in which the reversing driver engages the actuation shaft to retract the actuation shaft longitudinally proximally.

14. The handle assembly of claim 13, further comprising an open driver coupled to the gear and engageable with the actuation shaft.

15. The handle assembly of claim 14, wherein the actuation shaft further comprises an opening recess engageable with the open driver.
16. The handle assembly of claim 14 or 15, wherein the gear comprises a slot formed therein and wherein the open driver is coupled with the slot.
17. The handle assembly of any of claims 13-16, further comprising a rotation mechanism to selectively rotate the actuation shaft between the first orientation and the second orientation.
18. The handle assembly of any of claims 13-17, wherein the actuation shaft further comprises an advancing rack engageable with the advancing driver.
19. The handle assembly of claim 18, wherein the actuation shaft further comprises a reversing rack engageable with the reversing driver.
20. The handle assembly of claim 19, wherein the reversing rack is angularly offset from the advancing rack.

What is claimed is:

1. A surgical stapler comprising:

an elongate shaft having a proximal end and a distal end and defining a longitudinal axis between the proximal end and the distal end;

a jaw assembly positioned at the distal end of the elongate shaft, the jaw assembly comprising:

a first jaw;

a second jaw; and

a plurality of staples;

wherein the jaw assembly is selectively positionable in one of a closed configuration, an open configuration, and a firing configuration; and

a handle assembly positioned at the proximal end of the elongate shaft, the handle assembly comprising:

a stationary handle;

a movable trigger;

an actuation shaft longitudinally slideable within the handle assembly with respect to the longitudinal axis the actuation shaft and rotatable within the handle assembly with respect to the longitudinal axis;

wherein the actuation shaft is operably coupled to the jaw assembly and the actuation shaft is longitudinally slideable in a first direction from a first position corresponding to the open configuration of the jaw assembly to a second position corresponding to the closed configuration of the jaw assembly and from the second position to a third position corresponding to the firing configuration; and

wherein the actuation shaft is operably coupled to the movable trigger and the actuation shaft is rotatable between a first orientation in which movement of the trigger moves the actuation shaft between the second position and the third position and a second orientation in which movement of the trigger moves the actuation shaft from the third position to the first position.

2. The surgical stapler of Claim 1, wherein the movable trigger is pivotably coupled to the stationary handle.
3. The surgical stapler of any of Claims 1-2, wherein the handle assembly further comprises:

an advancing driver operably coupled to the movable trigger;

a reversing driver operably coupled to the movable trigger;

an advancing surface extending along the actuation shaft; and

a reversing surface extending along the actuation shaft at a location angularly offset from the advancing surface; and

wherein with the actuation shaft in the first orientation, the advancing driver engages the advancing surface and in the second orientation, the reversing driver engages the reversing surface.

4. The surgical stapler of Claim 3, wherein the advancing driver comprises a pawl and the advancing surface comprises a first rack formed along the actuation shaft.
  
5. The surgical stapler of any of Claims 3-4, wherein the reversing driver comprises a pawl and the reversing surface comprises a second rack formed along the actuation shaft.
  
6. The surgical stapler of any of Claims 3-5, wherein the handle assembly further comprises an idler operably coupled to the movable trigger, the advancing driver, and the reversing driver such that movement of the trigger moves the advancing driver in a first direction and moves the reversing driver in a second direction opposite the first direction.

7. The surgical stapler of any of the preceding claims, wherein the handle assembly further comprises an opening driver operably coupled to the actuation shaft, the opening driver biasing the actuation shaft from the second position to the first position, and the opening driver selectively disengageable from the actuation shaft.
  
8. A handle assembly for a surgical stapler comprising an elongate shaft having a proximal end and a distal end, the elongate shaft defining a longitudinal axis between the proximal end and the distal end, and a jaw assembly disposed at the distal end of the elongate shaft, the handle assembly comprising:
  - a housing;
  - an actuation mechanism positioned within the housing and comprising:
    - an advancing driver;
    - a reversing driver; and
    - an actuation shaft extending along the longitudinal axis, the actuation shaft rotatably coupled to the housing with respect to the longitudinal axis, and the actuation shaft comprising:

an advancing surface extending longitudinally along the actuation shaft; and

a reversing surface extending longitudinally along the actuation shaft, the reversing surface angularly offset from the advancing surface; and

wherein the actuation shaft is rotatable between a first orientation in which the advancing driver engages the advancing surface and a second orientation in which the reversing driver engages the reversing surface; and

a coupler adapted to engage the elongate shaft of the surgical stapler.

9. The handle assembly of Claim 8, further comprising:

a stationary handle disposed on the housing; and

a movable handle pivotably coupled to the housing and pivotable between an open position spaced apart from the stationary handle and a closed position adjacent the stationary handle; and

wherein the advancing driver is operably coupled to the movable handle and translatable distally with respect to the longitudinal axis responsive to movement of the movable handle from the open position to the closed position; and

wherein the reversing driver is operably coupled to the movable handle and translatable proximally with respect to the longitudinal axis responsive to movement of the movable handle from the open position to the closed position.

10. The handle assembly of Claim 9, wherein the actuation mechanism further comprises an idler operably coupled to the movable handle, the advancing driver, and the reversing driver.

11. The handle assembly of any of Claims 8-10, further comprising a rotation mechanism to selectively rotate the actuation shaft between the first orientation and the second orientation.

12. The handle assembly of any of Claims 8-11, wherein the coupler comprises a bayonet connector.

13. The handle assembly of any of Claims 8-12, wherein the advancing driver comprises a pawl and the advancing surface comprises a first rack formed on the actuation shaft.

14. The handle assembly of any of Claims 8-13, wherein the reversing driver comprises a pawl and the reversing surface comprises a second rack formed on the actuation shaft.

15. A handle assembly for a surgical stapler comprising:

a housing;

an actuator coupled to the housing; and

an actuation mechanism comprising:

a forward driver operably coupled to the actuator;

a reverse driver operably coupled to the actuator;

an actuation shaft having a longitudinal axis, the actuation shaft rotatably coupled to the housing relative to the longitudinal axis, the actuation shaft comprising a forward interface surface and a reverse interface surface

angularly offset from the forward interface surface, wherein the actuation shaft is rotatable between a first orientation in which the forward interface surface engages the forward driver to move the actuation shaft in a first direction responsive to the actuator and a second orientation in which the reverse interface surface engages the reverse driver to move the actuation shaft in a second direction opposite the first direction responsive to the actuator; and

a selector operably coupled to the actuation shaft to selectively rotate the actuation shaft between the first orientation and the second orientation.

16. The handle assembly of Claim 15, wherein the actuator comprises a trigger pivotably coupled to the housing and wherein movement of the actuation shaft in the first and second directions is responsive to pivotal movement of the trigger.

17. The handle assembly of any of Claims 15-16, wherein the selector comprises:

a slider extending transversely through the housing relative to the longitudinal axis of the actuation shaft, the slider slideable between a first position in which the actuation shaft is in the first orientation and a second position in which the actuation shaft is in the second orientation.

18. The handle assembly of Claim 17, wherein the selector further comprises:

a rack movable by the slider; and

a gear engaged with the rack and rotationally coupled to the actuation shaft.

19. The handle assembly of any of Claims 15-16, wherein the selector comprises:

a switch selectively longitudinally slideable with respect to the longitudinal axis of the actuation shaft;

a hub collar operably coupled to the switch, rotationally fixed to the housing, and positioned around the actuation shaft, the hub collar having a first edge and a second edge and comprising:

a plurality of ramps formed in the first edge; and

a plurality of recesses formed in the second edge; and

a first plurality of projections extending radially outward from the actuation shaft at a location adjacent the first edge of the hub collar; and

a second plurality of projections extending radially outward from the actuation shaft at a location adjacent the second edge of the hub collar;

the first plurality of projections and second plurality of projections positioned such that sliding the switch in a first direction engages each of the first plurality of projections with a corresponding one of the ramps and rotates the actuation shaft with respect to the housing and returning the switch in a second direction opposite the first direction engages each of the second plurality of projections within a corresponding recess.

20. The handle assembly of Claim 18, wherein the switch is biased in the second direction.

21. The handle assembly of any of Claims 15-16, wherein the selector comprises a handle rotationally fixed to the actuation shaft.

22. The handle assembly of Claim 21, wherein the actuation shaft has a proximal end and a distal end and wherein the handle extends from the proximal end of the actuation shaft.

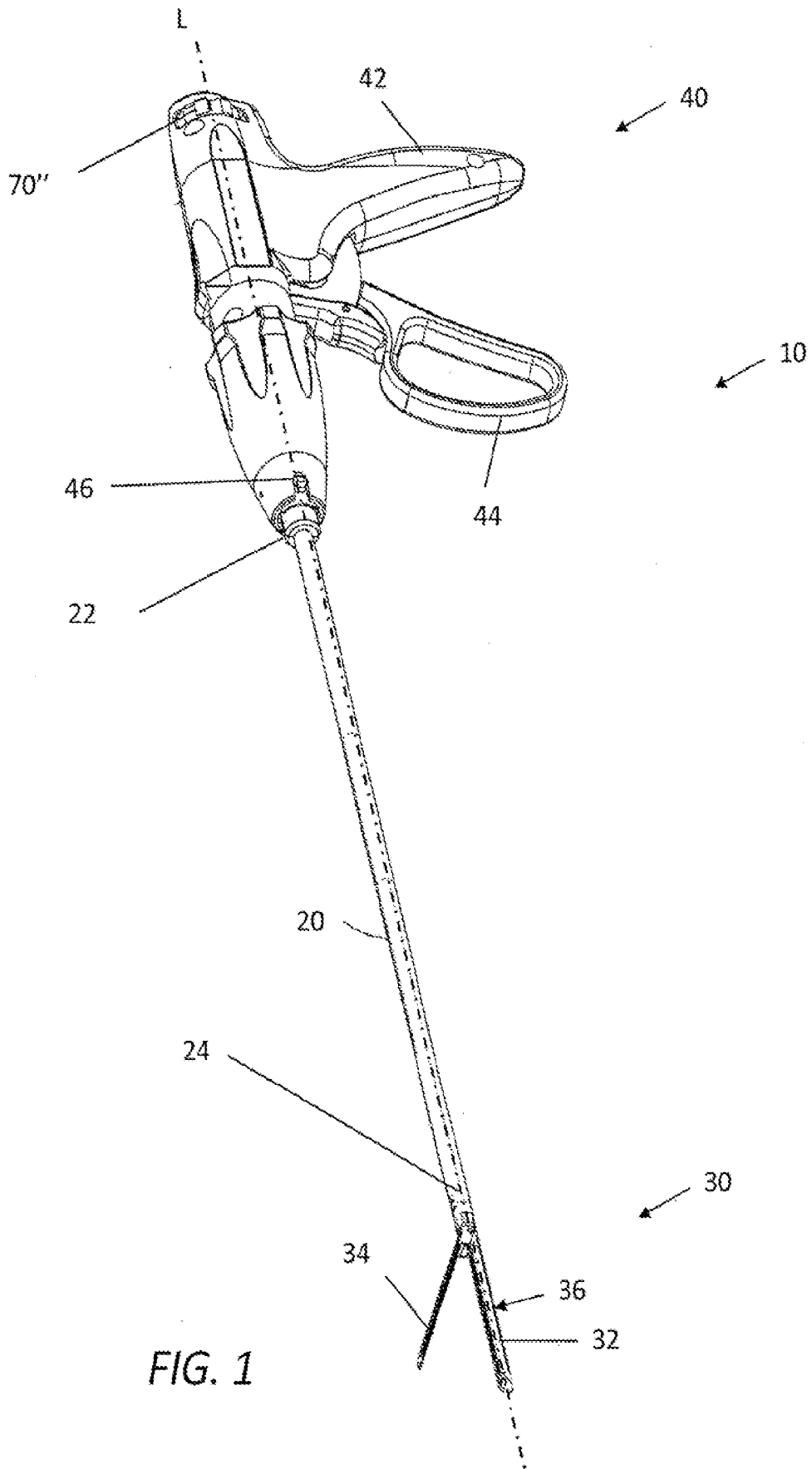
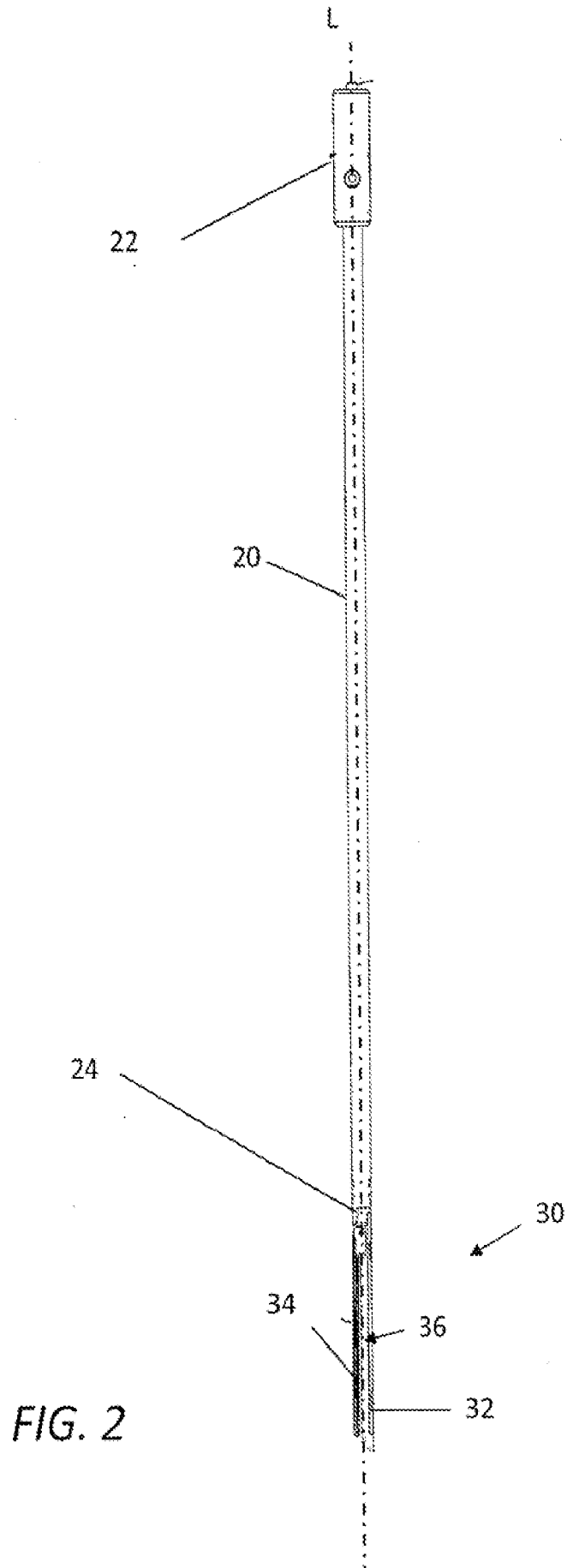


FIG. 1



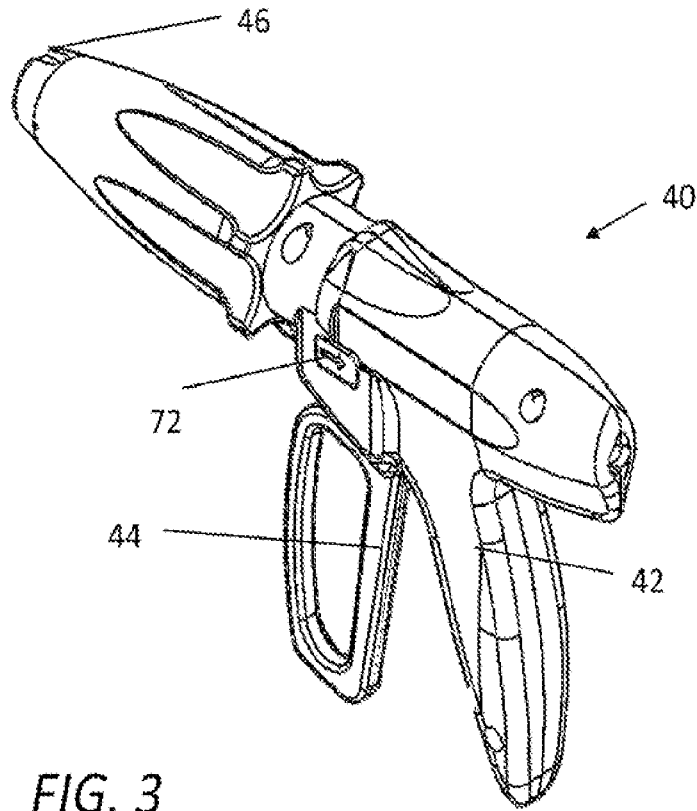


FIG. 3

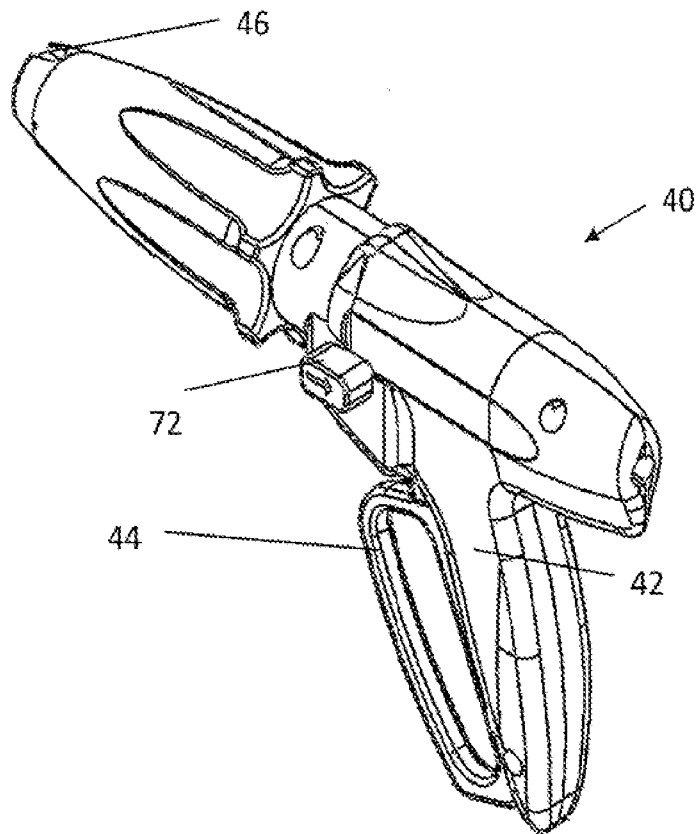


FIG. 4

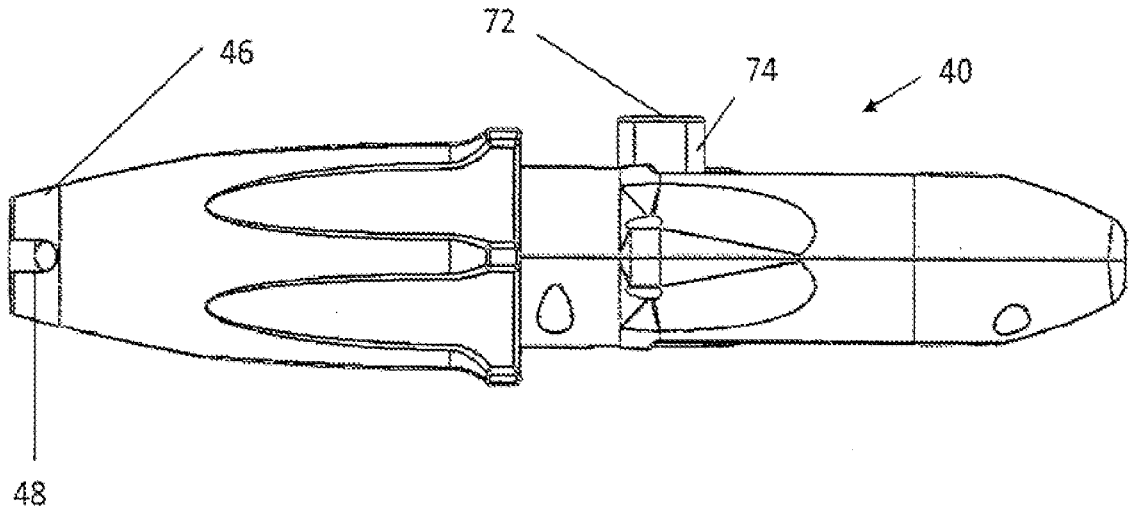


FIG. 5

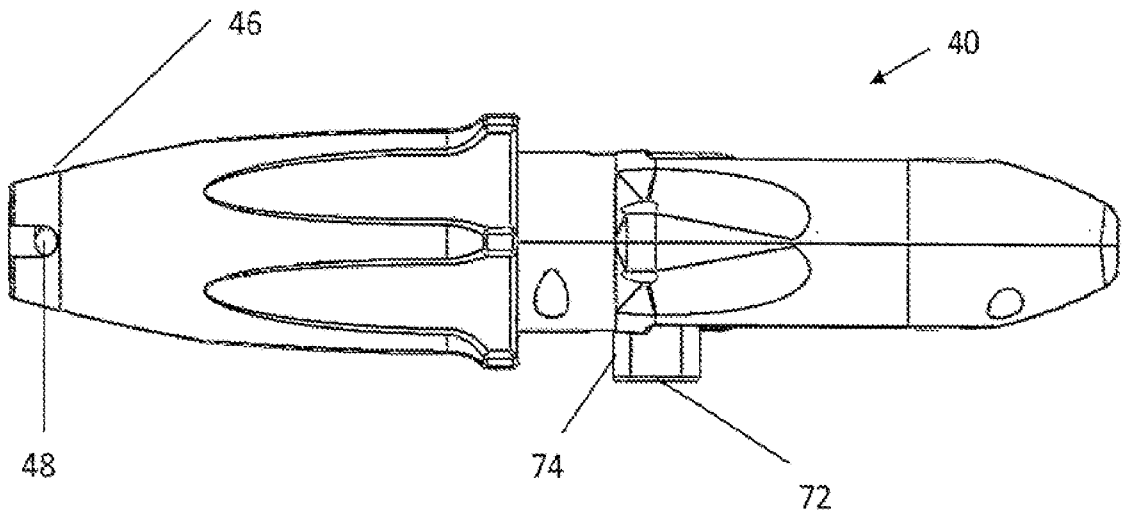


FIG. 6

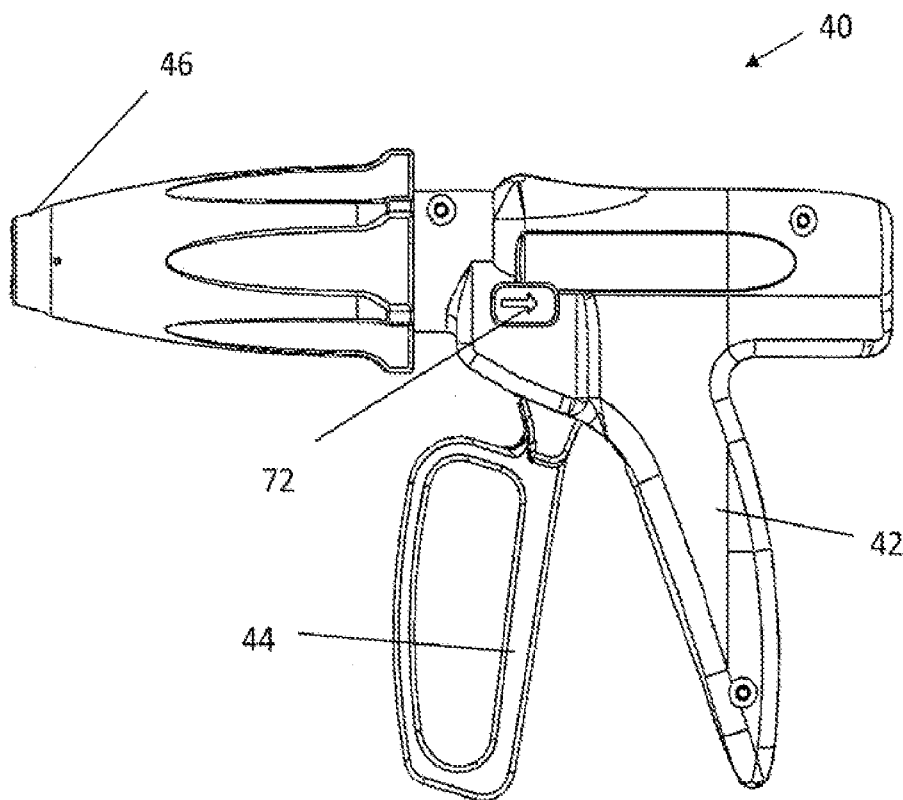


FIG. 7

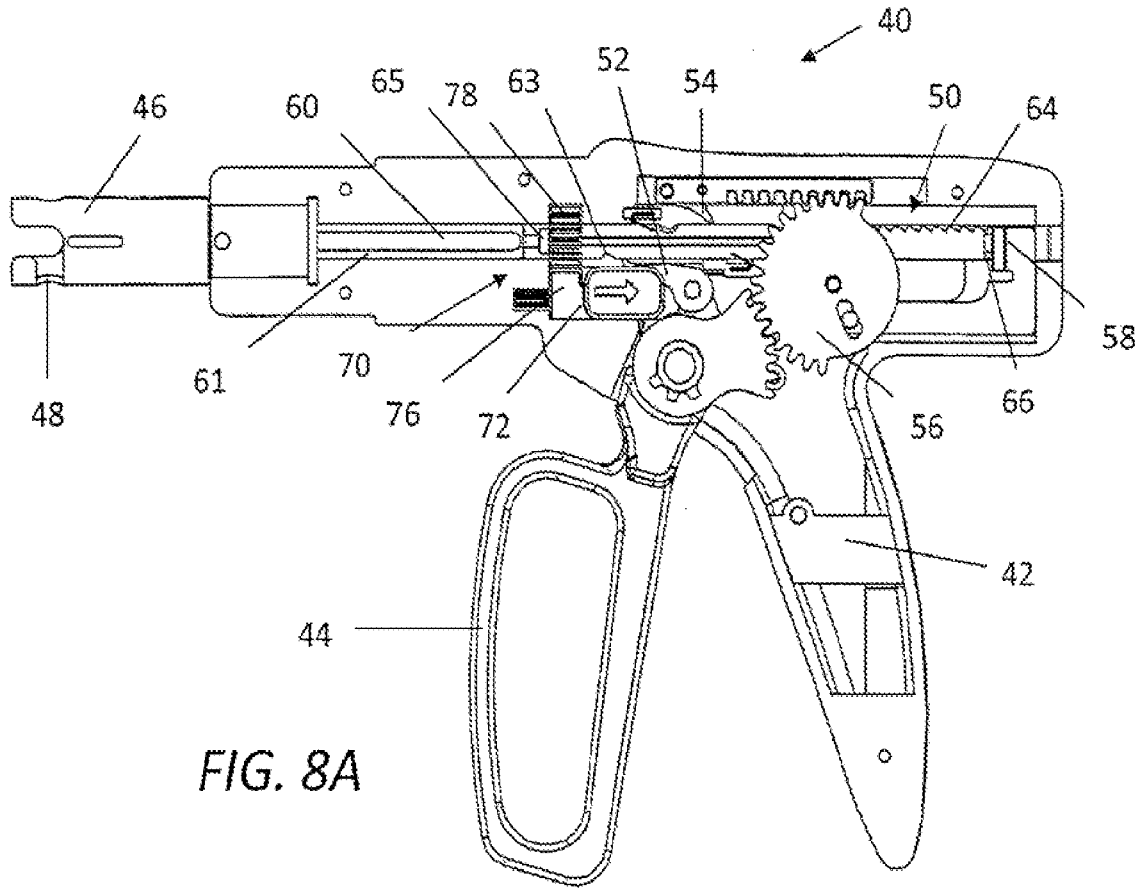


FIG. 8A

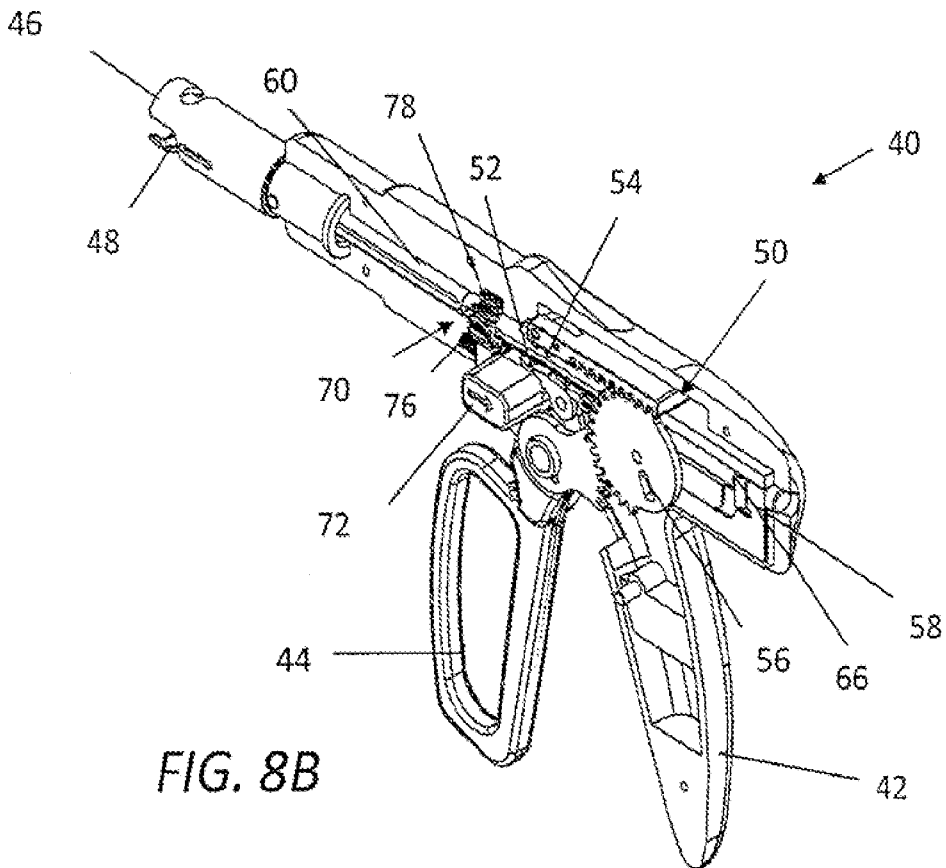


FIG. 8B

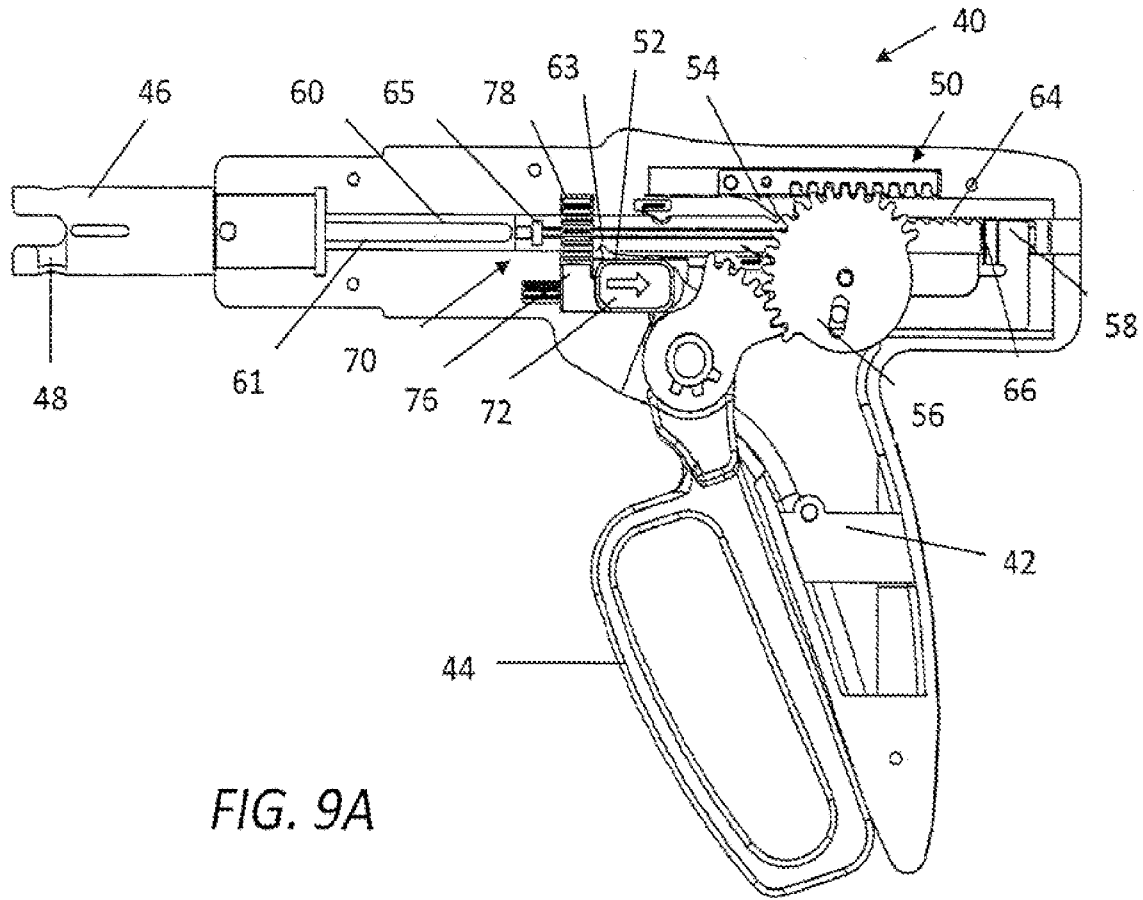


FIG. 9A

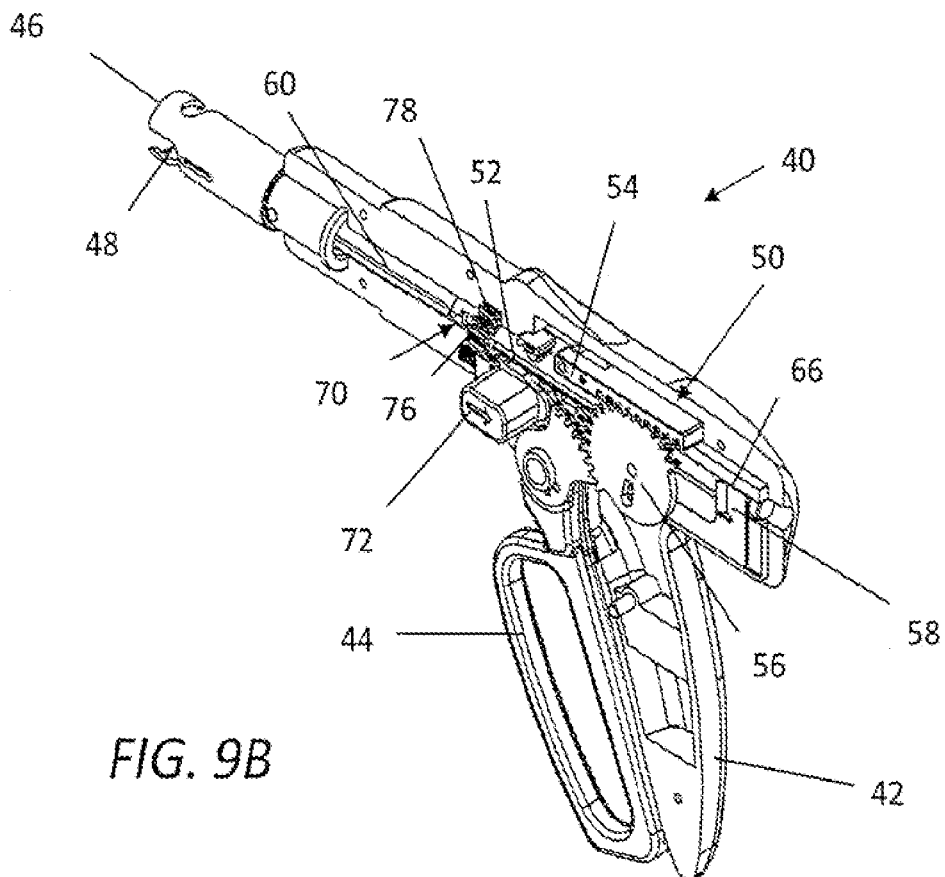


FIG. 9B



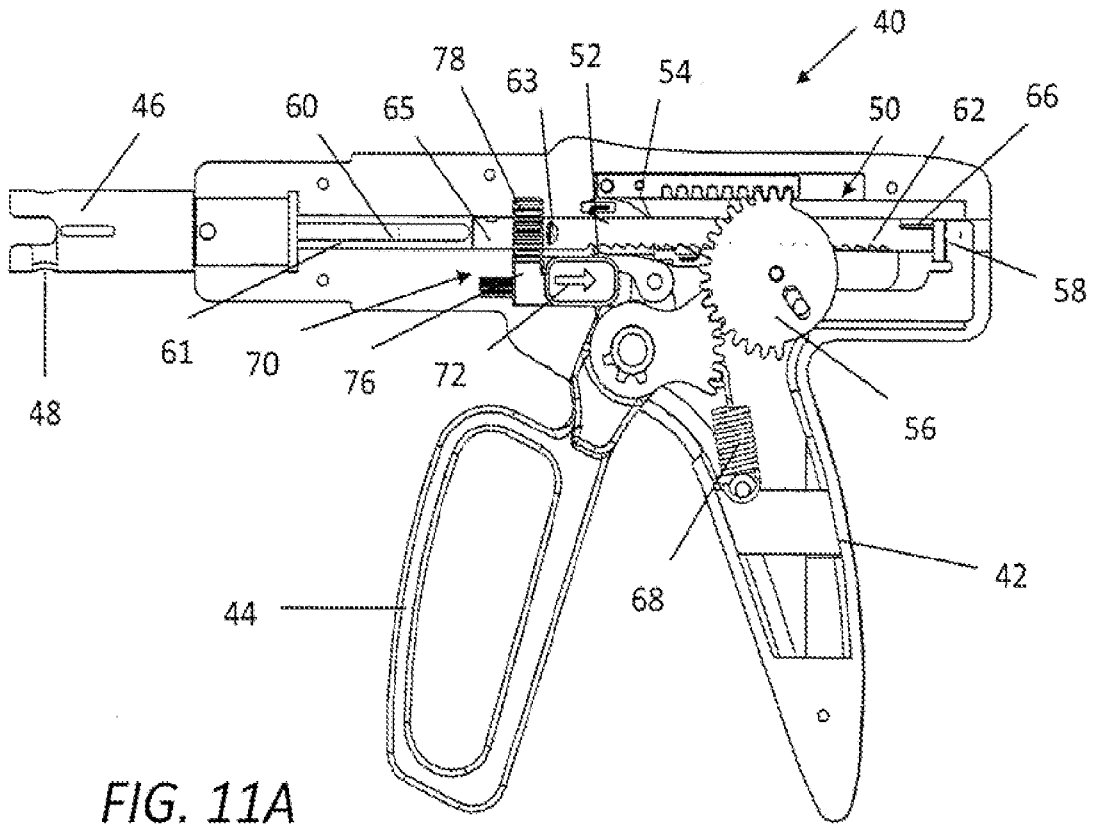


FIG. 11A

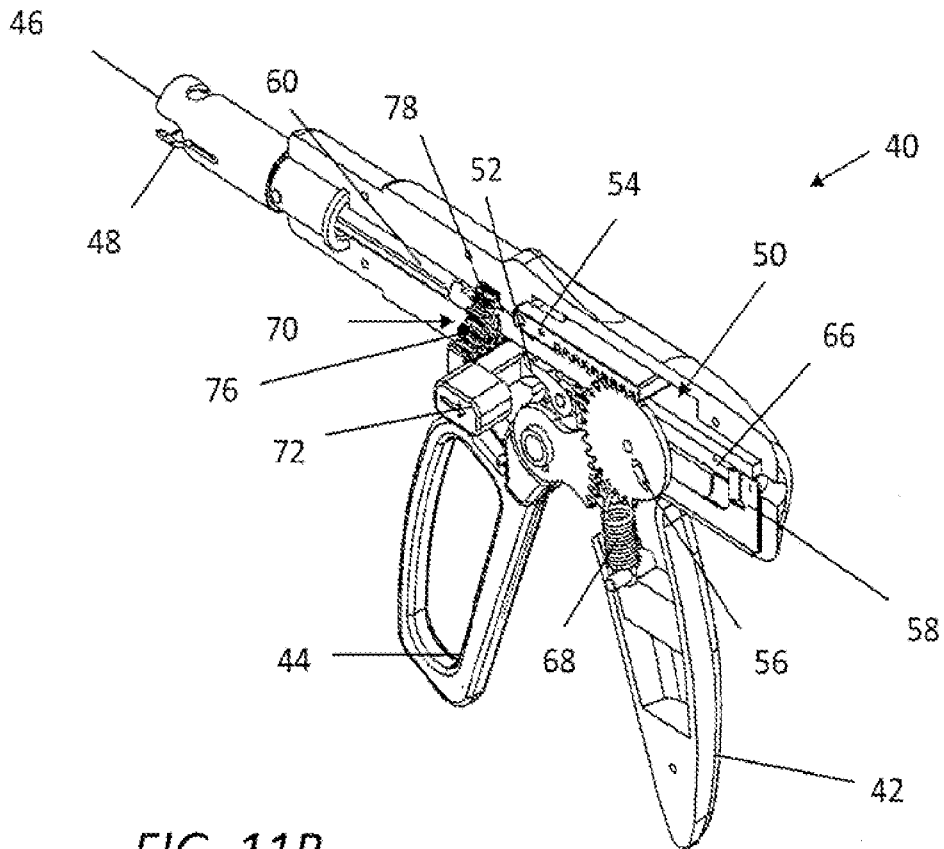
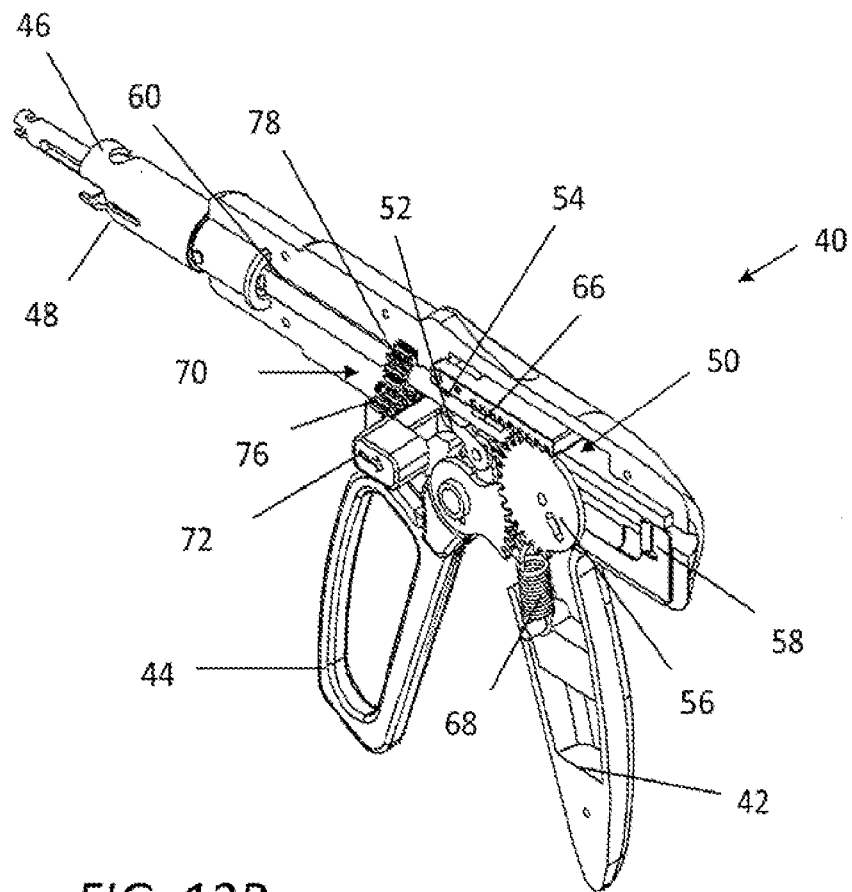
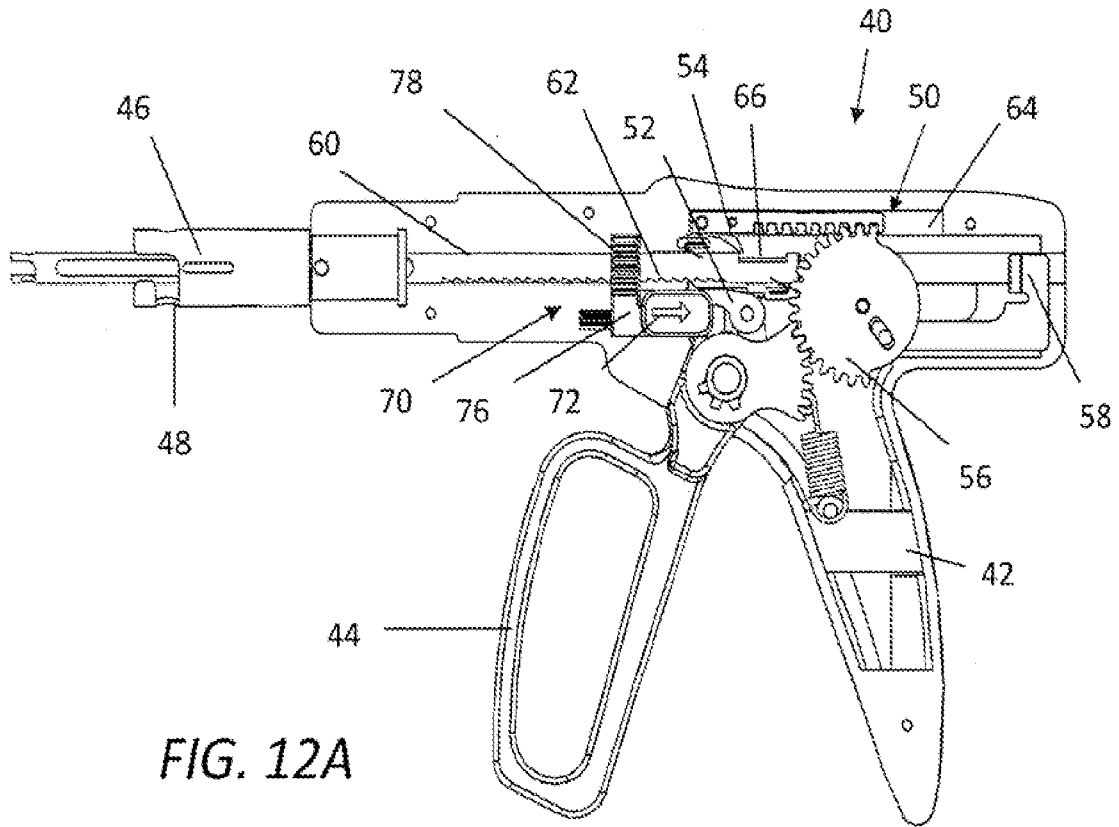
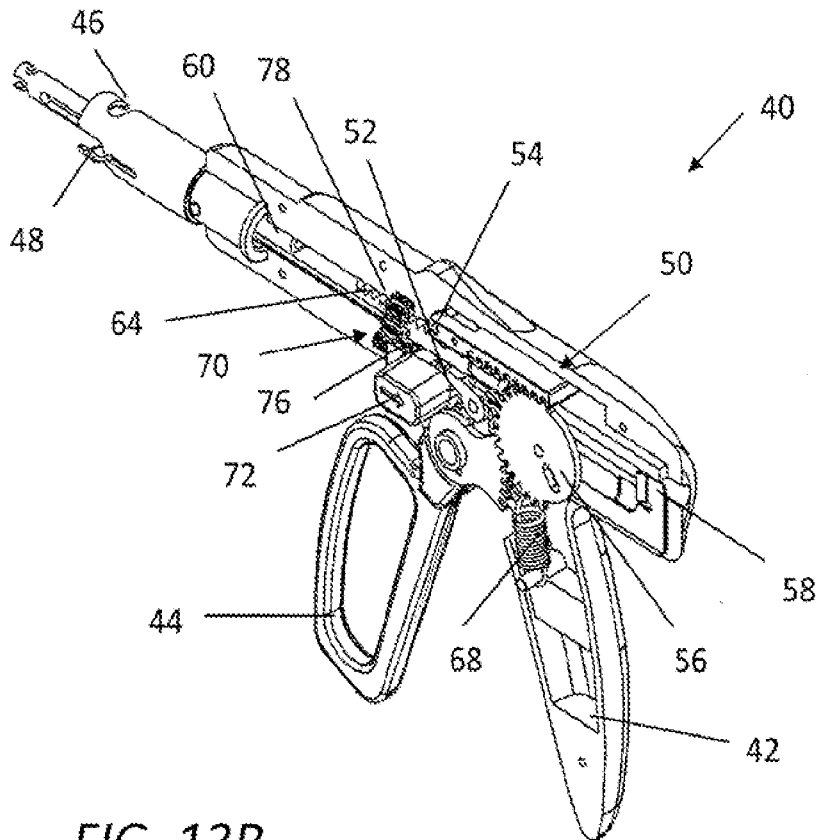
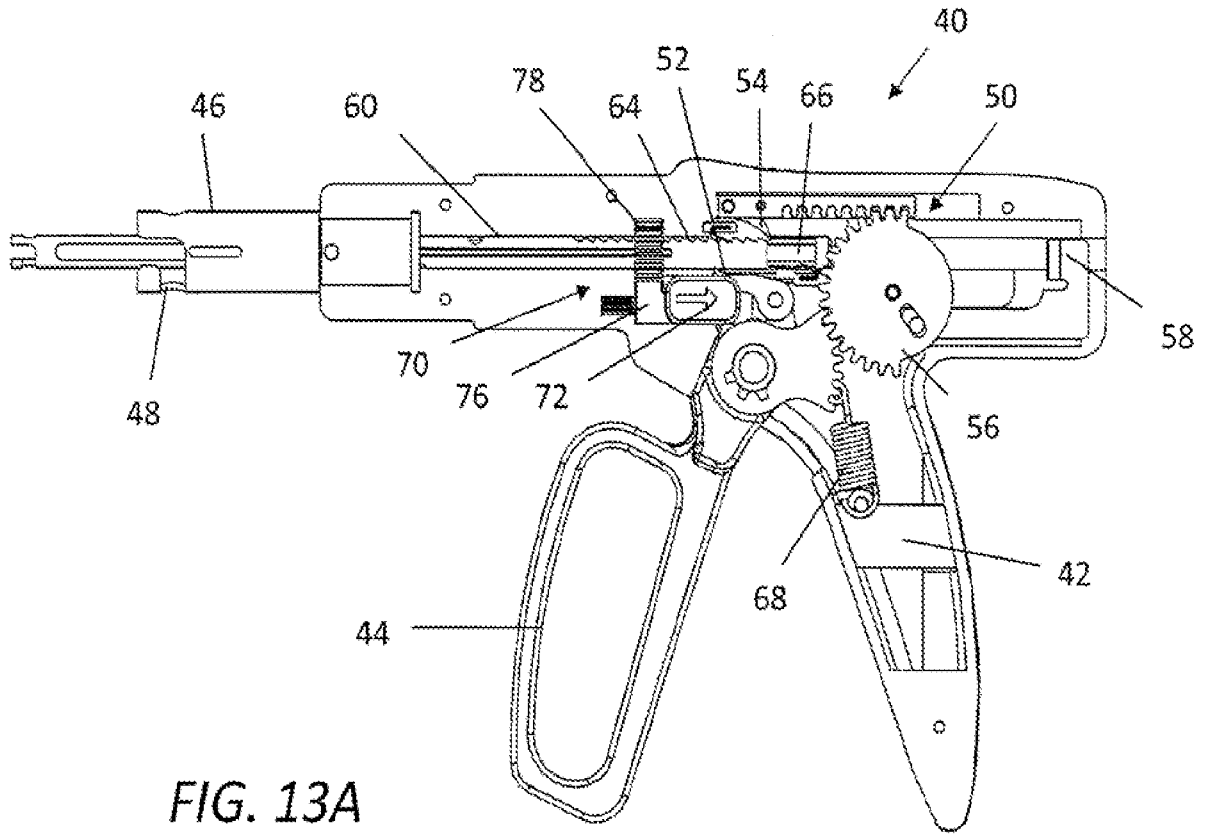


FIG. 11B





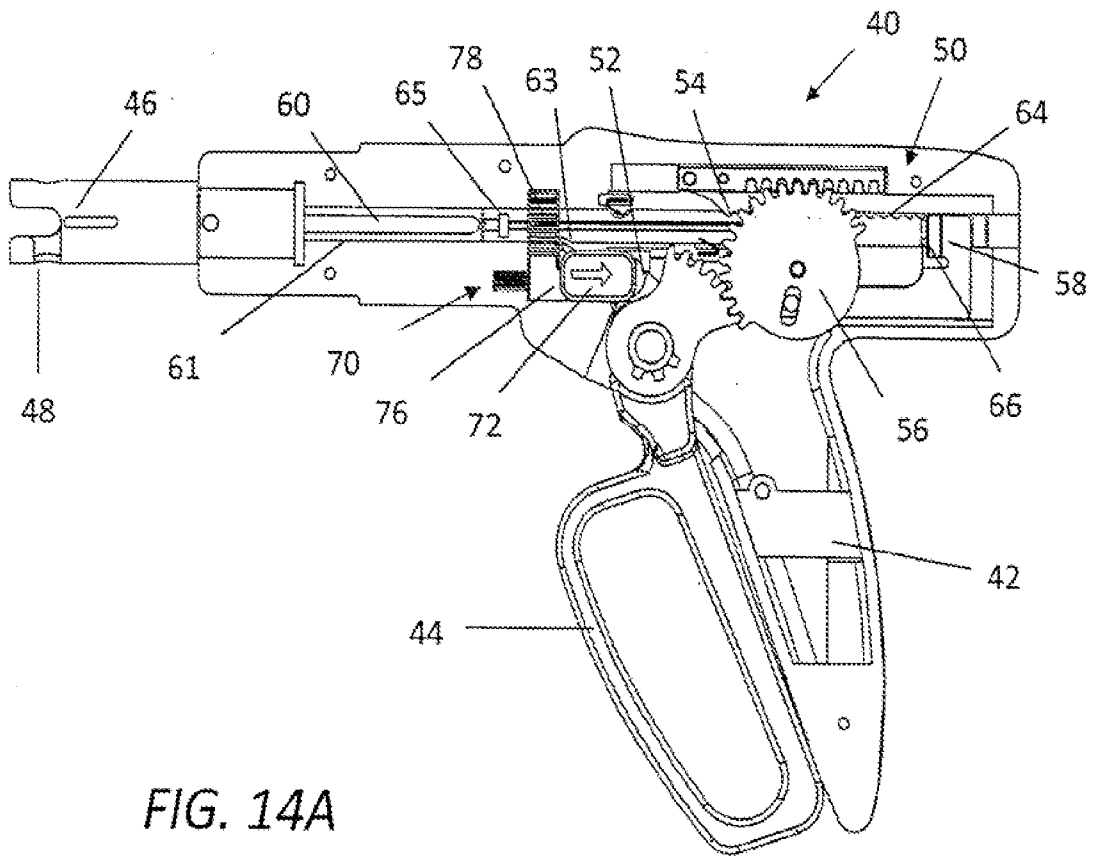


FIG. 14A

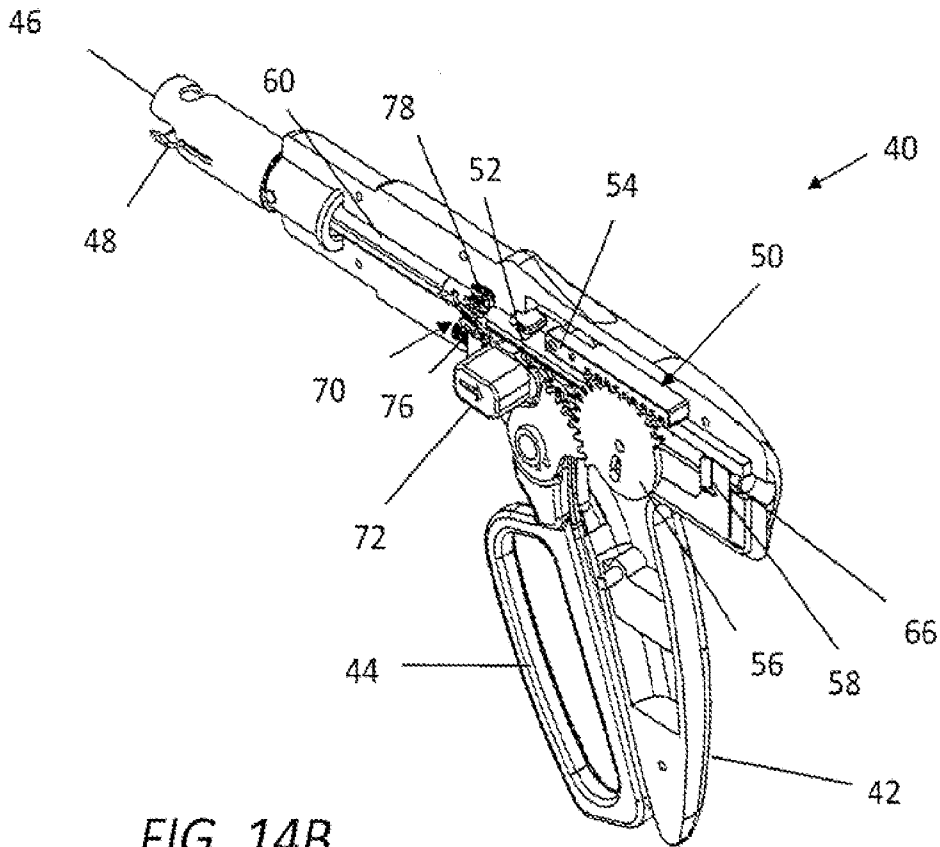


FIG. 14B

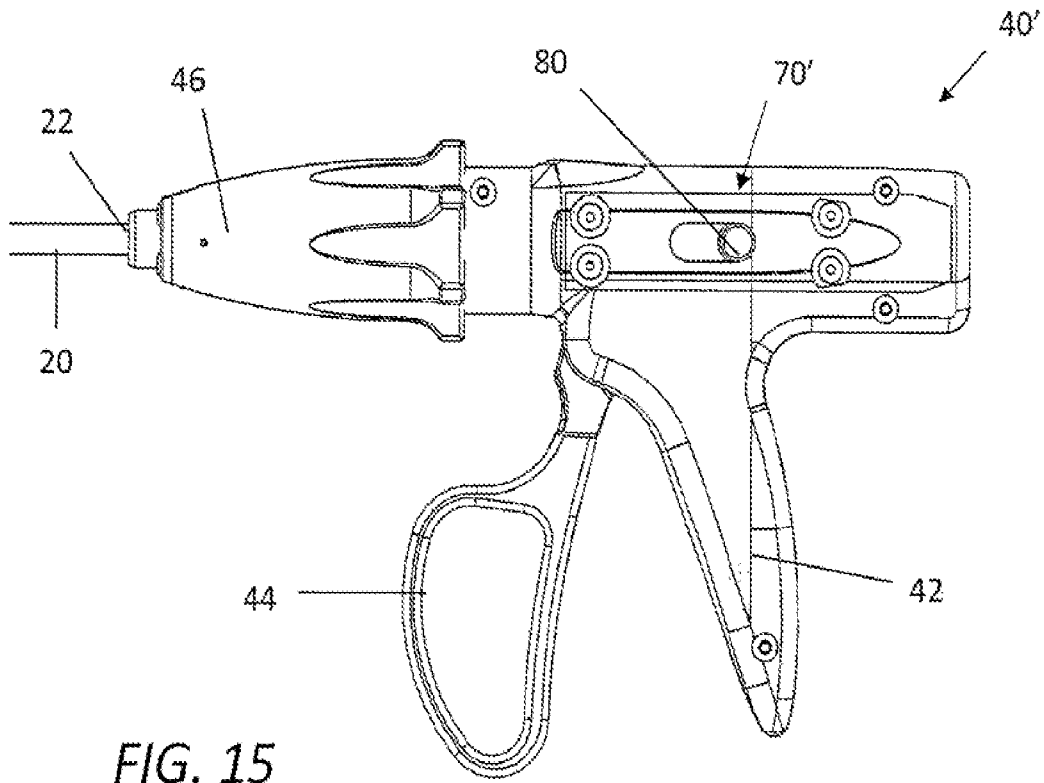


FIG. 15

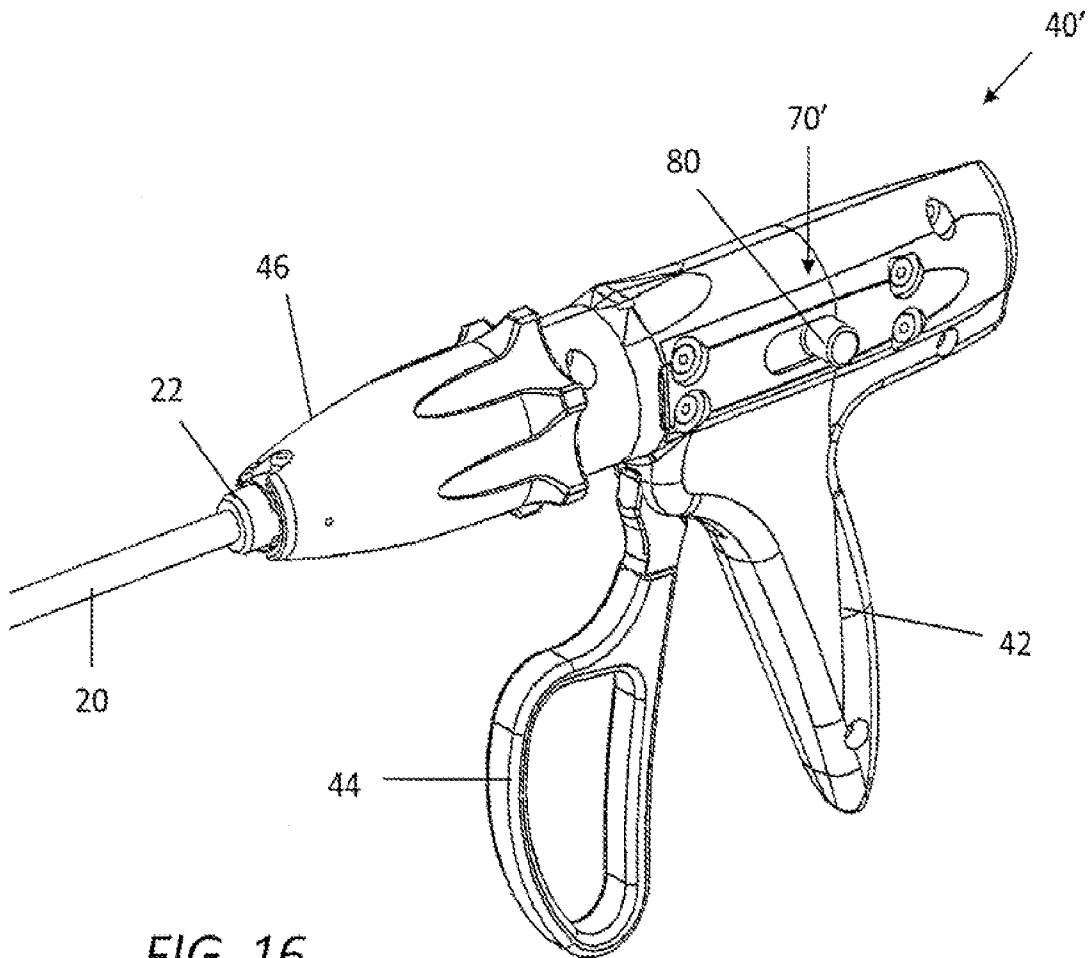


FIG. 16

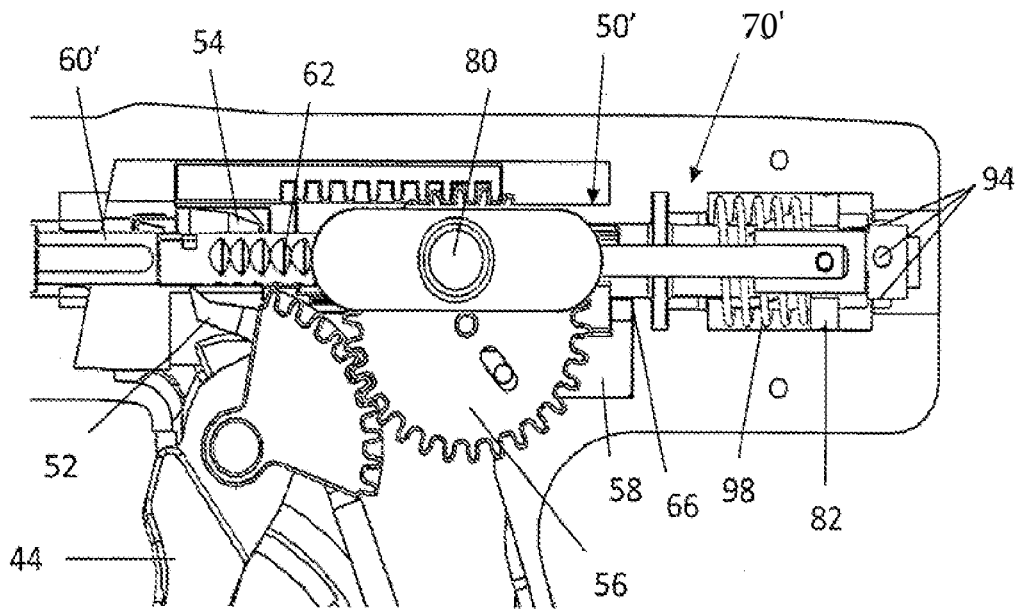


FIG. 17

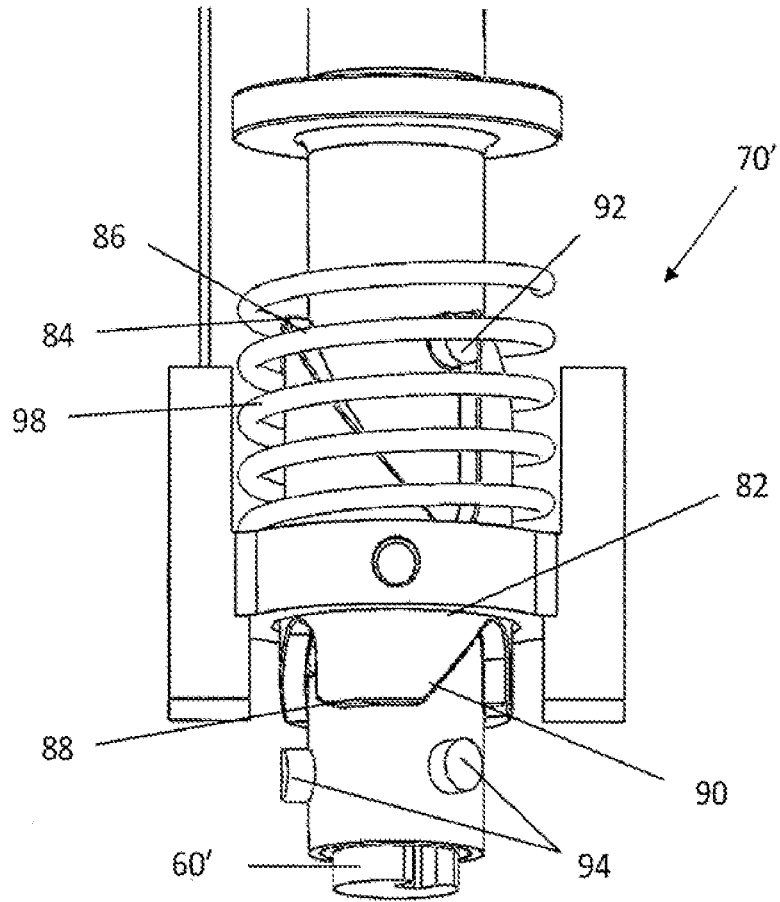


FIG. 18

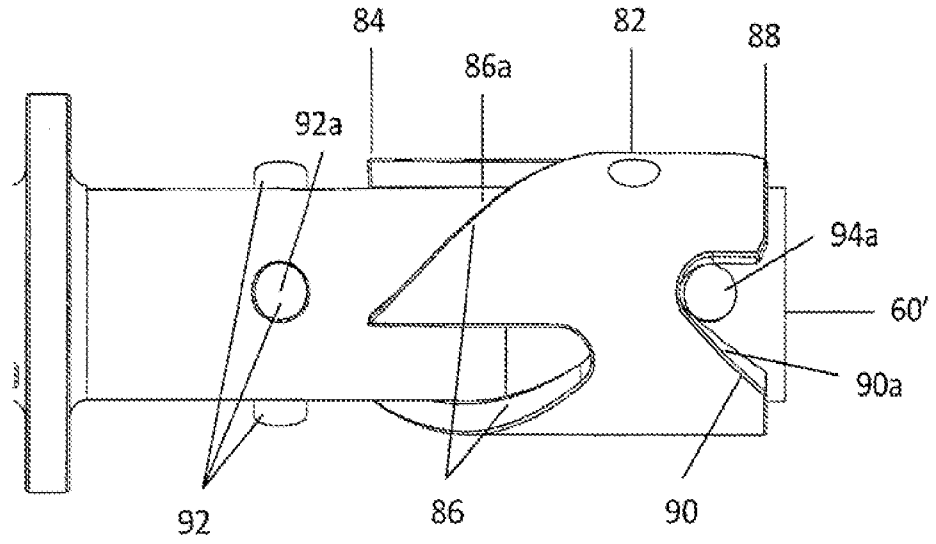


FIG. 19

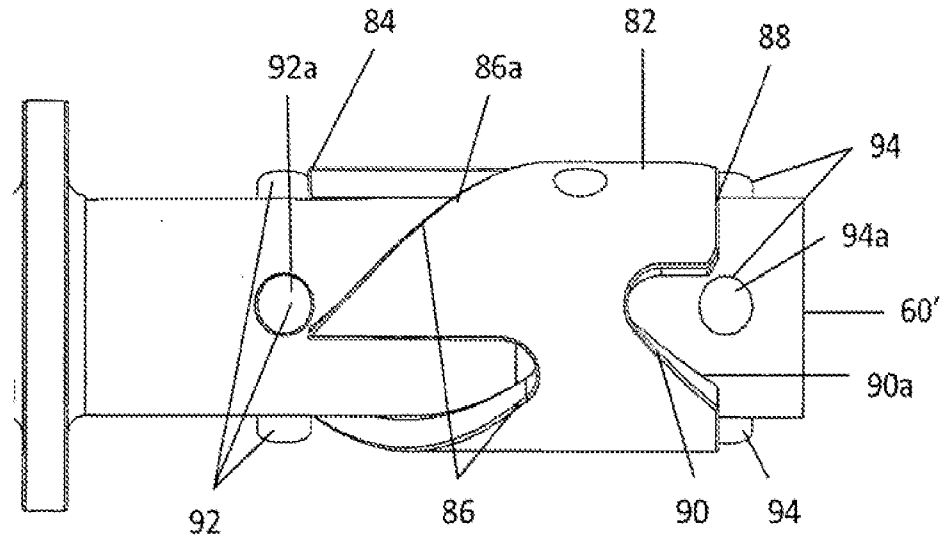


FIG. 20

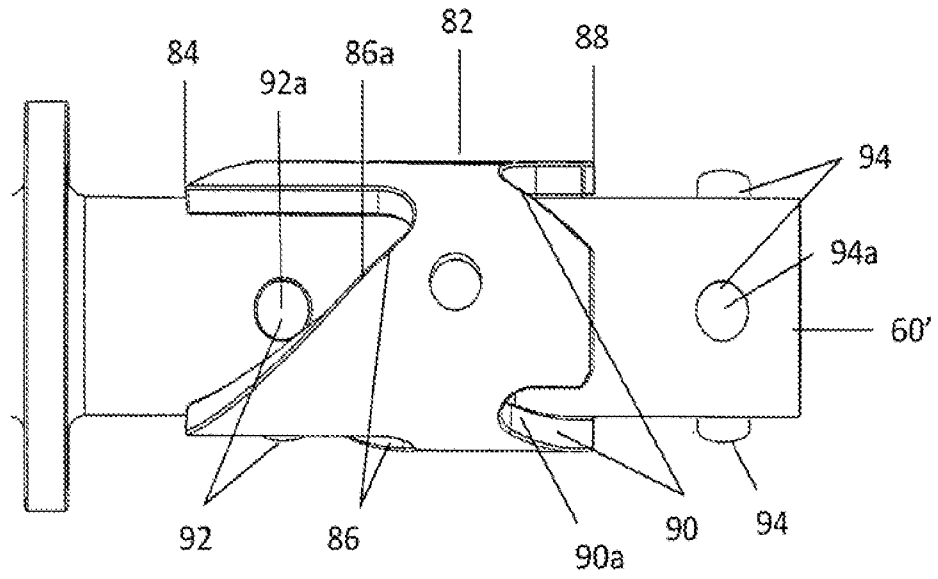


FIG. 21

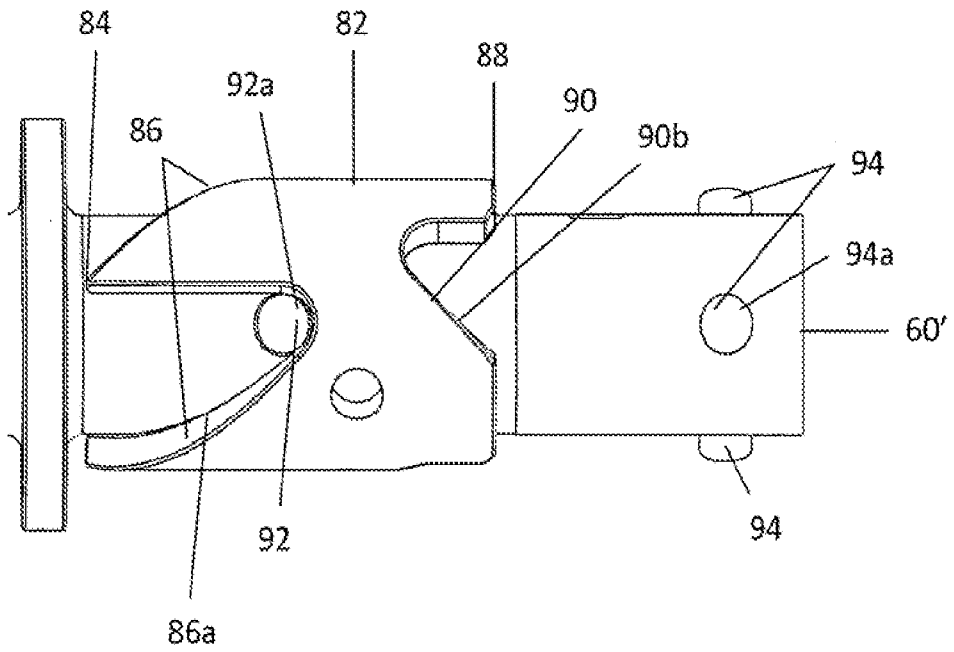


FIG. 22

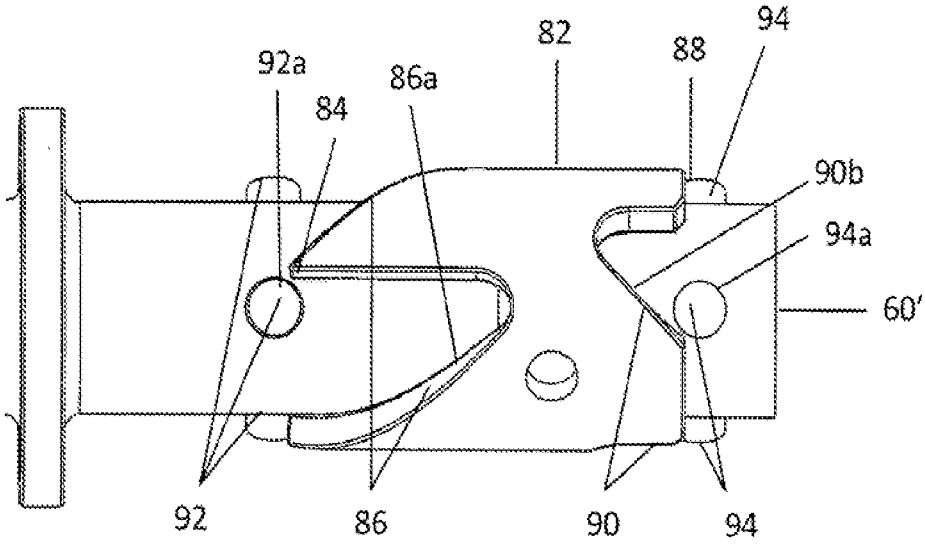


FIG. 23

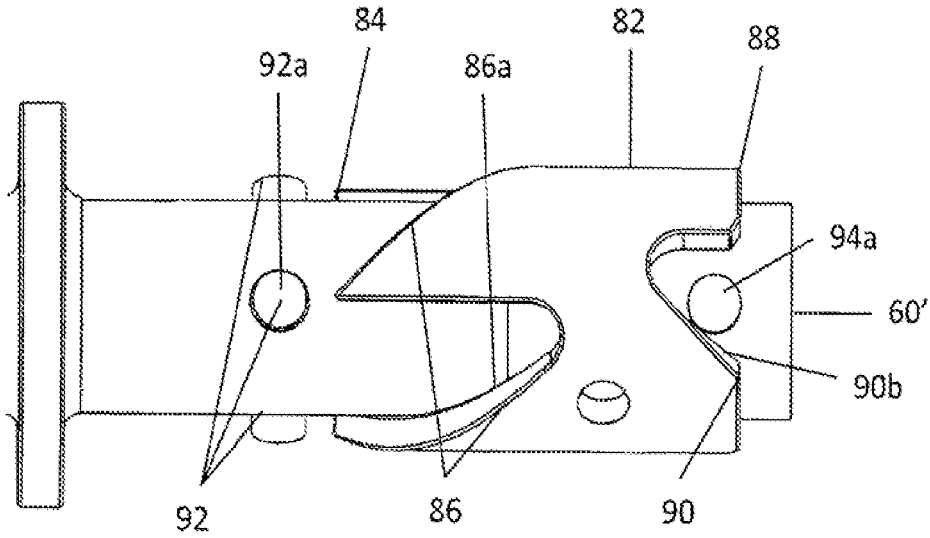


FIG. 24

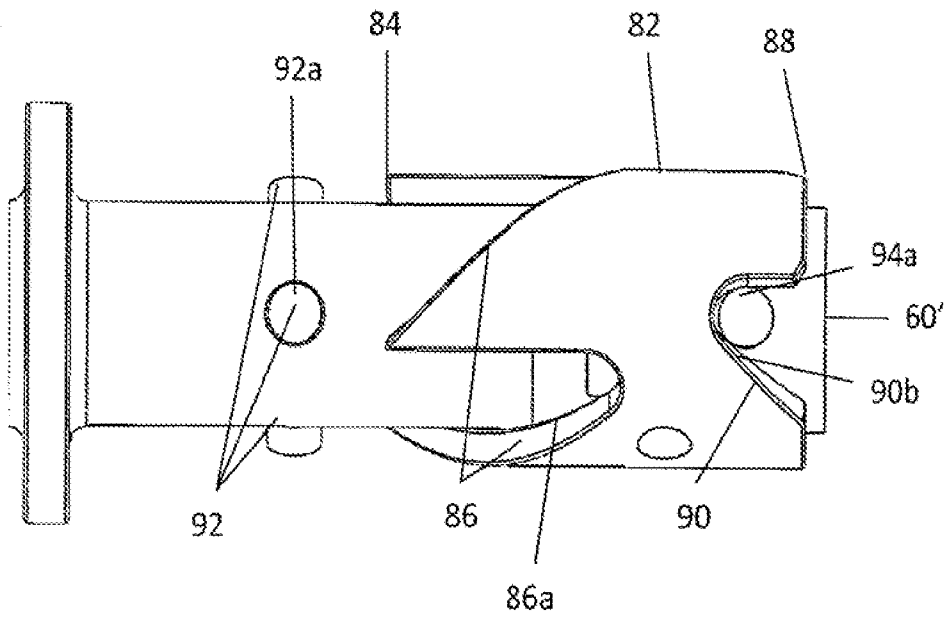


FIG. 25